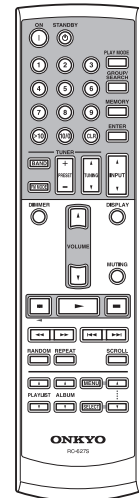


ONKYO SERVICE MANUAL

INTEGRATED AMPLIFIER MODEL A-9355




RC-627S

Black, Silver and golden models

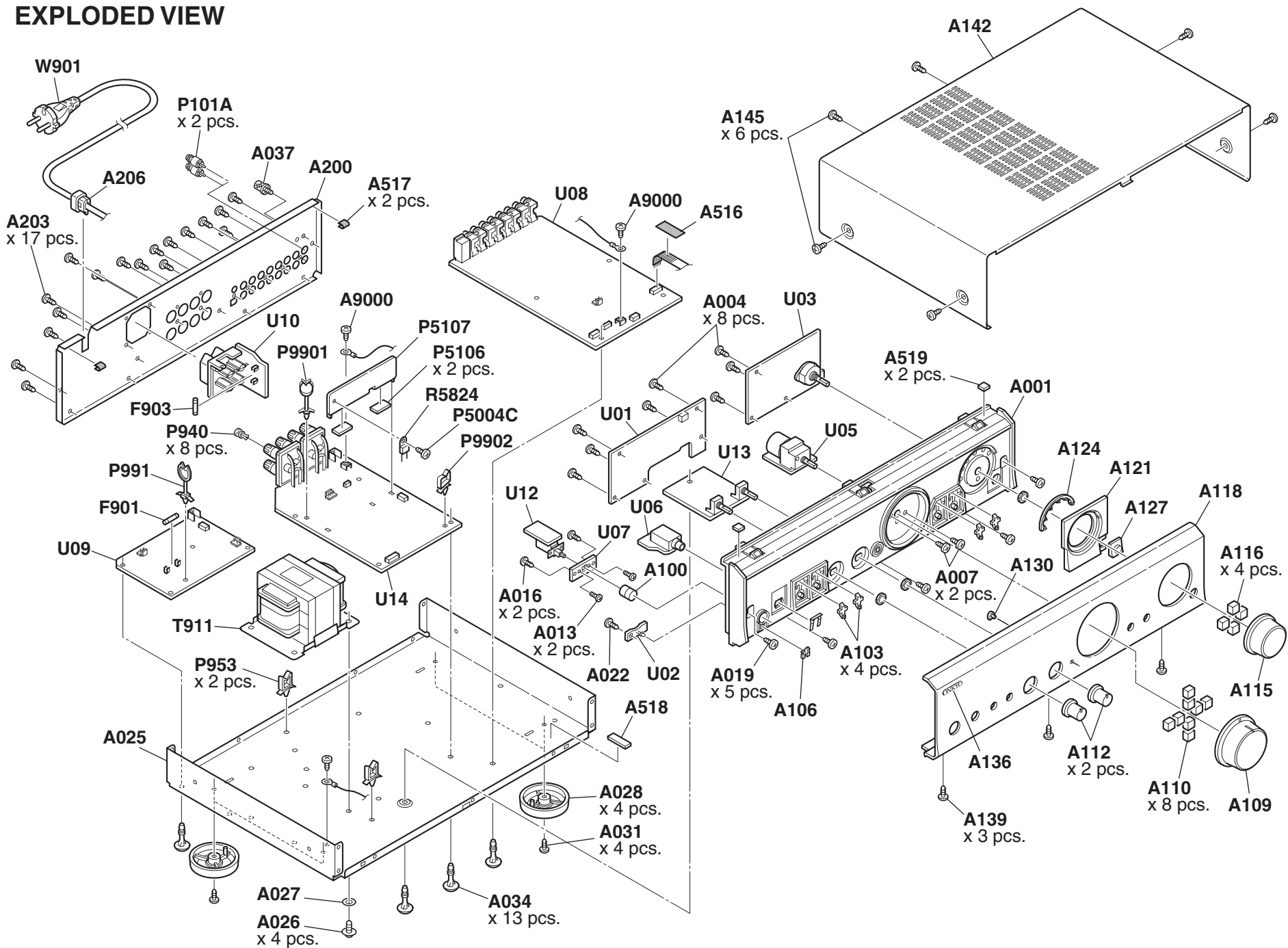
B MPP	230V AC, 50Hz
S MPP	230V AC, 50Hz
G MGT	220-230V AC, 50/60Hz
G MDT	120V AC, 60Hz
G MGR	220-230V AC, 50/60Hz

SAFETY-RELATED COMPONENT WARNING!!

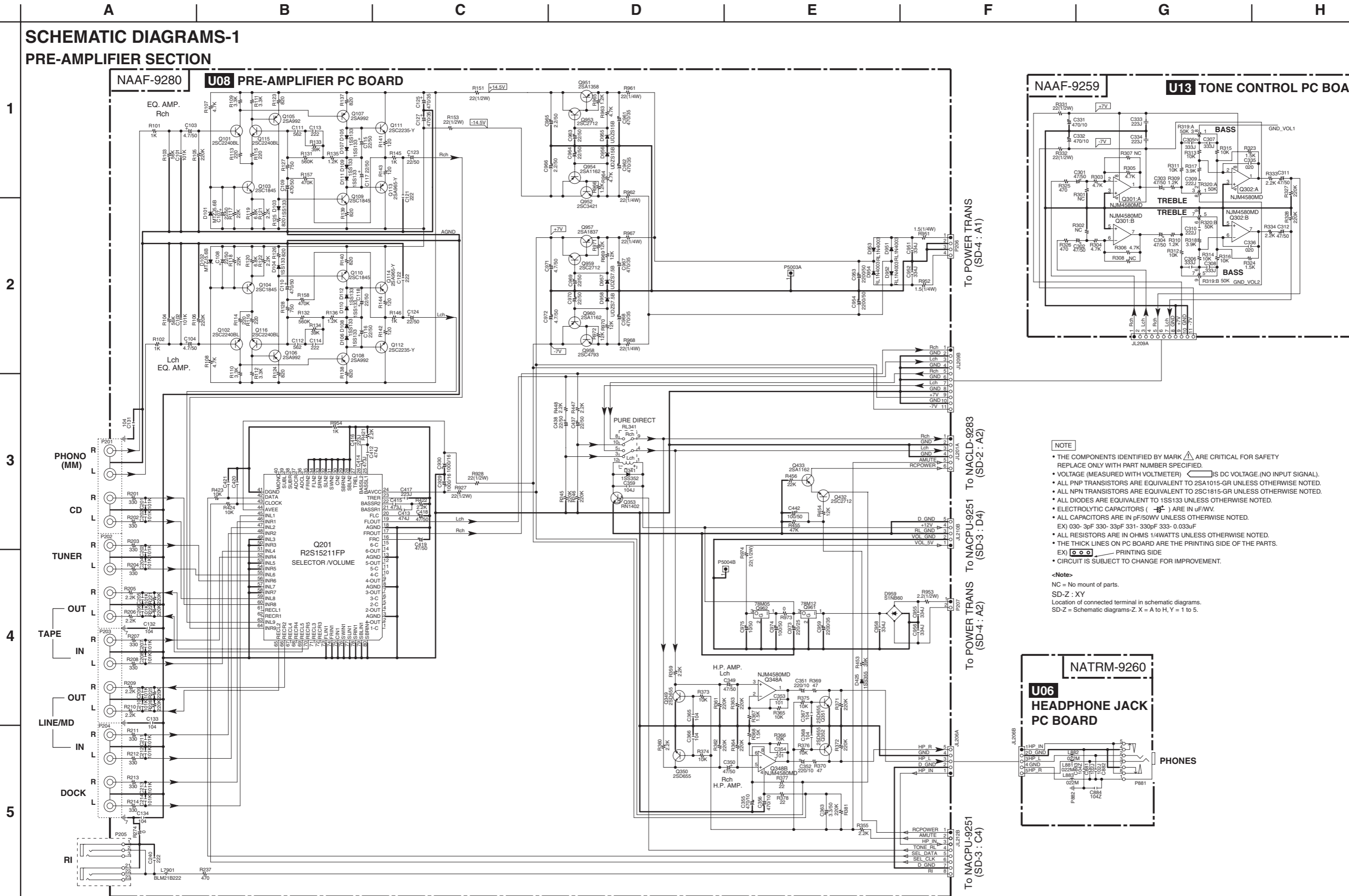
COMPONENTS IDENTIFIED BY MARK  ON THE SCHEMATIC DIAGRAM AND IN THE PARTS LIST ARE CRITICAL FOR RISK OF FIRE AND ELECTRIC SHOCK. REPLACE THESE COMPONENTS WITH ONKYO PARTS WHOSE PART NUMBERS APPEAR AS SHOWN IN THIS MANUAL.

MAKE LEAKAGE-CURRENT OR RESISTANCE MEASUREMENTS TO DETERMINE THAT EXPOSED PARTS ARE ACCEPTABLY INSULATED FROM THE SUPPLY CIRCUIT BEFORE RETURNING THE APPLIANCE TO THE CUSTOMER.

EXPLODED VIEW



SCHEMATIC DIAGRAMS-1 PRE-AMPLIFIER SECTION



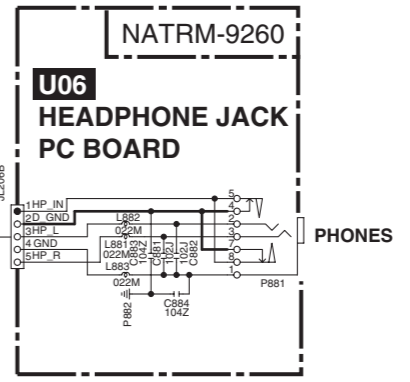
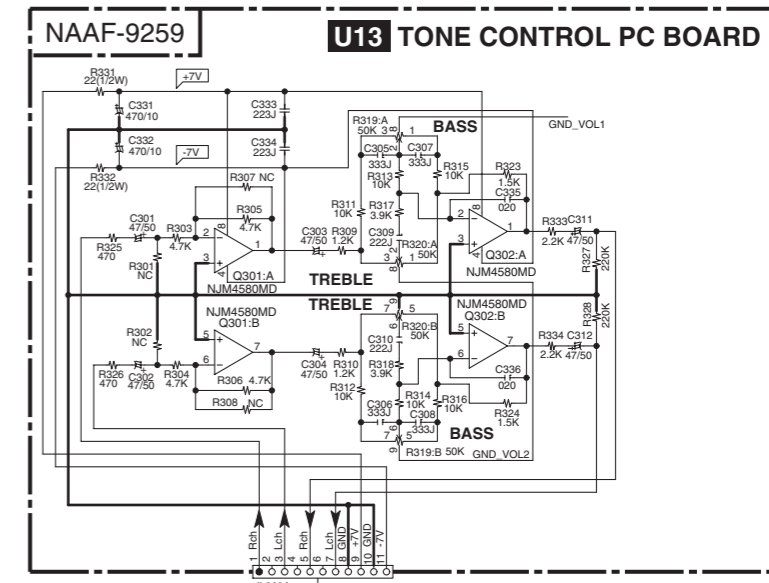
NOTE

- THE COMPONENTS IDENTIFIED BY MARK Δ ARE CRITICAL FOR SAFETY. REPLACE ONLY WITH PART NUMBER SPECIFIED.
- VOLTAGE (MEASURED WITH VOLTMETER) Δ IS DC VOLTAGE (NO INPUT SIGNAL).
- ALL PNP TRANSISTORS ARE EQUIVALENT TO 2SA1015-GR UNLESS OTHERWISE NOTED.
- ALL NPN TRANSISTORS ARE EQUIVALENT TO 2SC1815-GR UNLESS OTHERWISE NOTED.
- ALL DIODES ARE EQUIVALENT TO 1SS133 UNLESS OTHERWISE NOTED.
- ELECTROLYTIC CAPACITORS (Δ) ARE IN μ F/WV.
- ALL CAPACITORS ARE IN pF/50WV UNLESS OTHERWISE NOTED.
- EX) 030-3pF 330-33pF 331-330pF 333-0.033 μ F
- ALL RESISTORS ARE IN OHMS 1/4Watts UNLESS OTHERWISE NOTED.
- THE THICK LINES ON PC BOARD ARE THE PRINTING SIDE OF THE PARTS.
- EX) \square PRINTING SIDE
- CIRCUIT IS SUBJECT TO CHANGE FOR IMPROVEMENT.

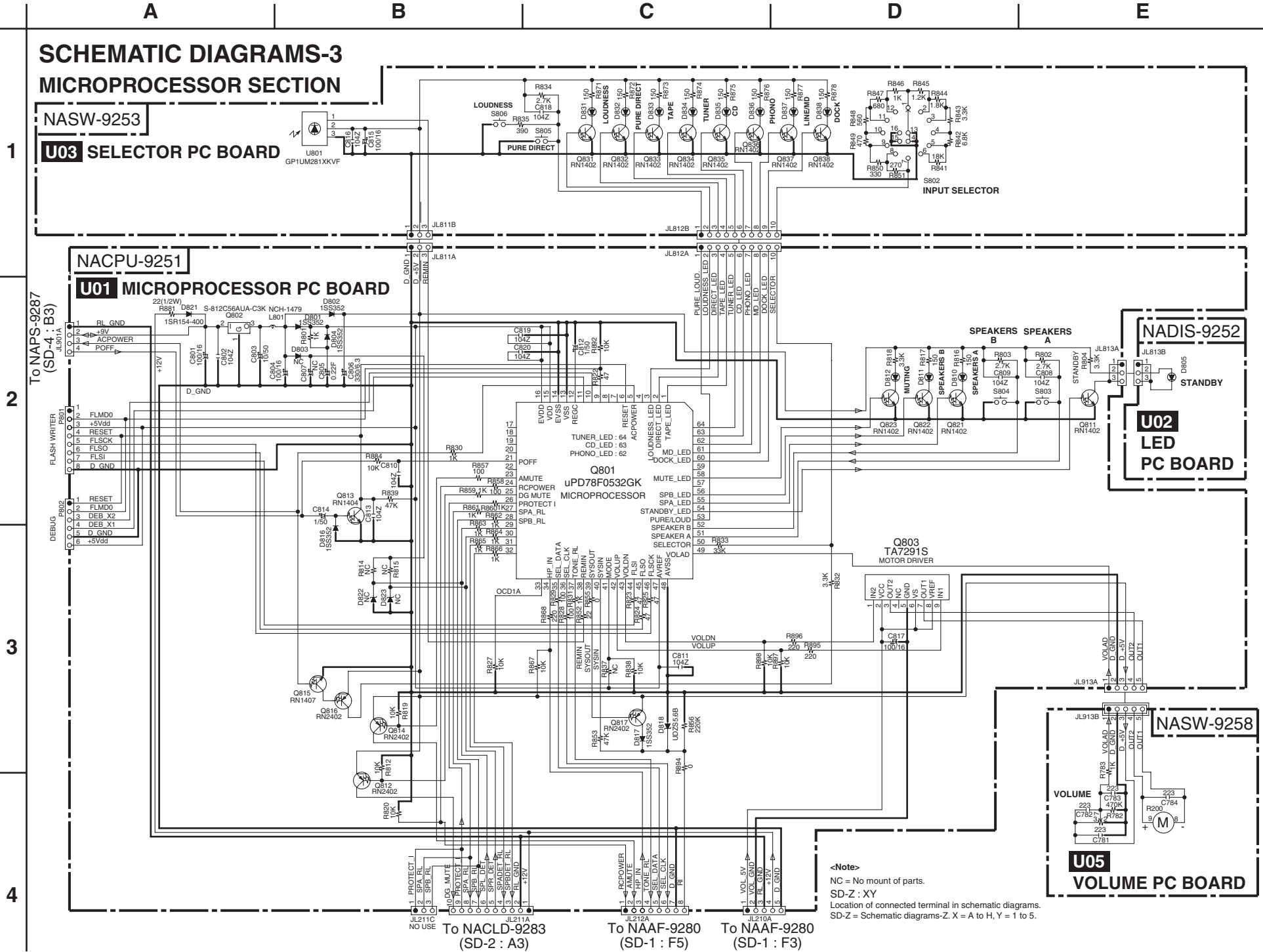
<Note>
 NC = No mount of parts.
 SD-Z : XY
 Location of connected terminal in schematic diagrams.
 SD-Z = Schematic diagrams-Z. X = A to H, Y = 1 to 5.

1
2
3
4
5

To POWER TRANS (SD-4 : A1)
 To POWER TRANS (SD-4 : A2)
 To POWER TRANS (SD-3 : D4)
 To NACP-9251 (SD-3 : C4)



SCHEMATIC DIAGRAMS-3 MICROPROCESSOR SECTION



<Note>
 NC = No mount of parts.
 SD-Z: XY
 Location of connected terminal in schematic diagrams.
 SD-Z = Schematic diagrams-Z. X = A to H, Y = 1 to 5.

To NAPS-9287 (SD-4 : B3)

To NACL2-9283 (SD-2 : A3)

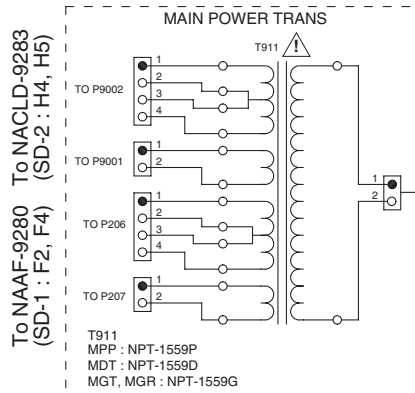
To NAAF-9280 (SD-1 : F5)

To NAAF-9280 (SD-1 : F3)

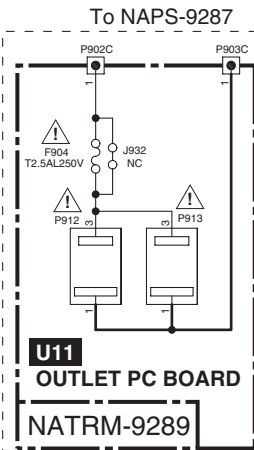
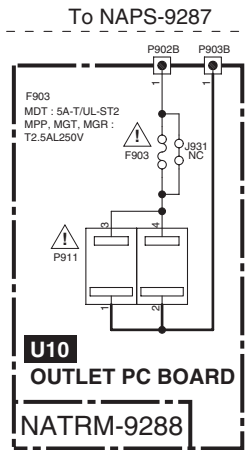
SCHEMATIC DIAGRAMS-4

POWER SUPPLY SECTION

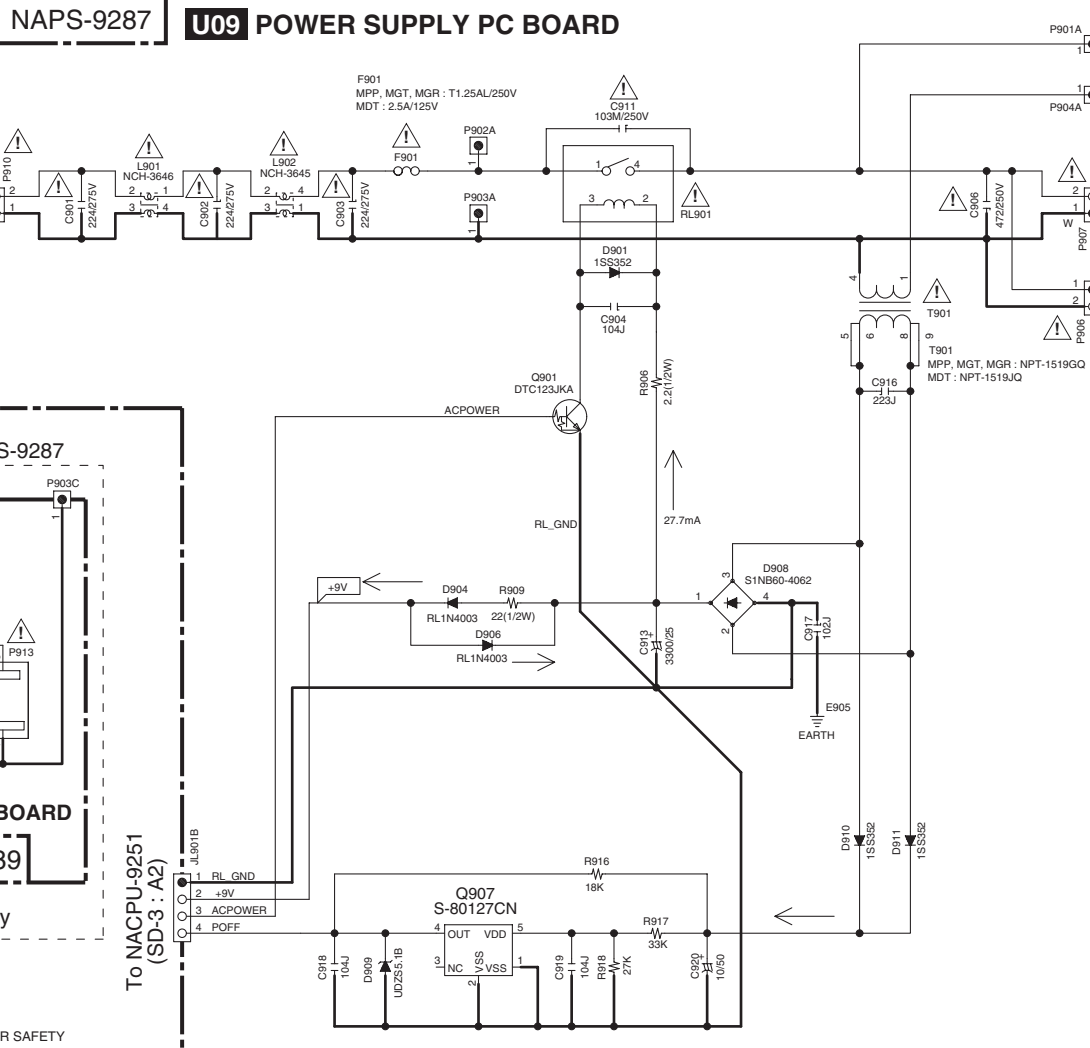
1



2







3



4

NOTE

- THE COMPONENTS IDENTIFIED BY MARK  ARE CRITICAL FOR SAFETY. REPLACE ONLY WITH PART NUMBER SPECIFIED.
- VOLTAGE (MEASURED WITH VOLTMETER)  IS DC VOLTAGE.(NO INPUT SIGNAL).
- ALL PNP TRANSISTORS ARE EQUIVALENT TO 2SA1015-GR UNLESS OTHERWISE NOTED.
- ALL NPN TRANSISTORS ARE EQUIVALENT TO 2SC1815-GR UNLESS OTHERWISE NOTED.
- ALL DIODES ARE EQUIVALENT TO 1SS133 UNLESS OTHERWISE NOTED.
- ELECTROLYTIC CAPACITORS () ARE IN uF/WV.
- ALL CAPACITORS ARE IN pF/50WV UNLESS OTHERWISE NOTED.
EX) 030- 3pF 330- 33pF 331- 330pF 333- 0.033uF
- ALL RESISTORS ARE IN OHMS 1/4WATTS UNLESS OTHERWISE NOTED.
- THE THICK LINES ON PC BOARD ARE THE PRINTING SIDE OF THE PARTS.
EX)  PRINTING SIDE
- CIRCUIT IS SUBJECT TO CHANGE FOR IMPROVEMENT.

<Note>

- NC = No mount of parts.
- SD-Z : XY
Location of connected terminal in schematic diagrams.
SD-Z = Schematic diagrams-Z. X = A to H, Y = 1 to 5.

CAUTION

FOR CONTINUED PROTECTION AGAINST FIRE HAZARD, REPLACE ONLY WITH FUSE OF SAME TYPE AND RATING INDICATED.



ATTENTION

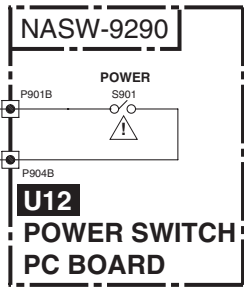
AFIN D'ASSURER UNE PROTECTION PERMANENTE CONTRE LES RISQUES D'INCENDIE, REMPLACER UNIQUEMENT PAR UN FUSIBLE DE MEME TYPE ET CALIBRATION COMME INDIQUE.



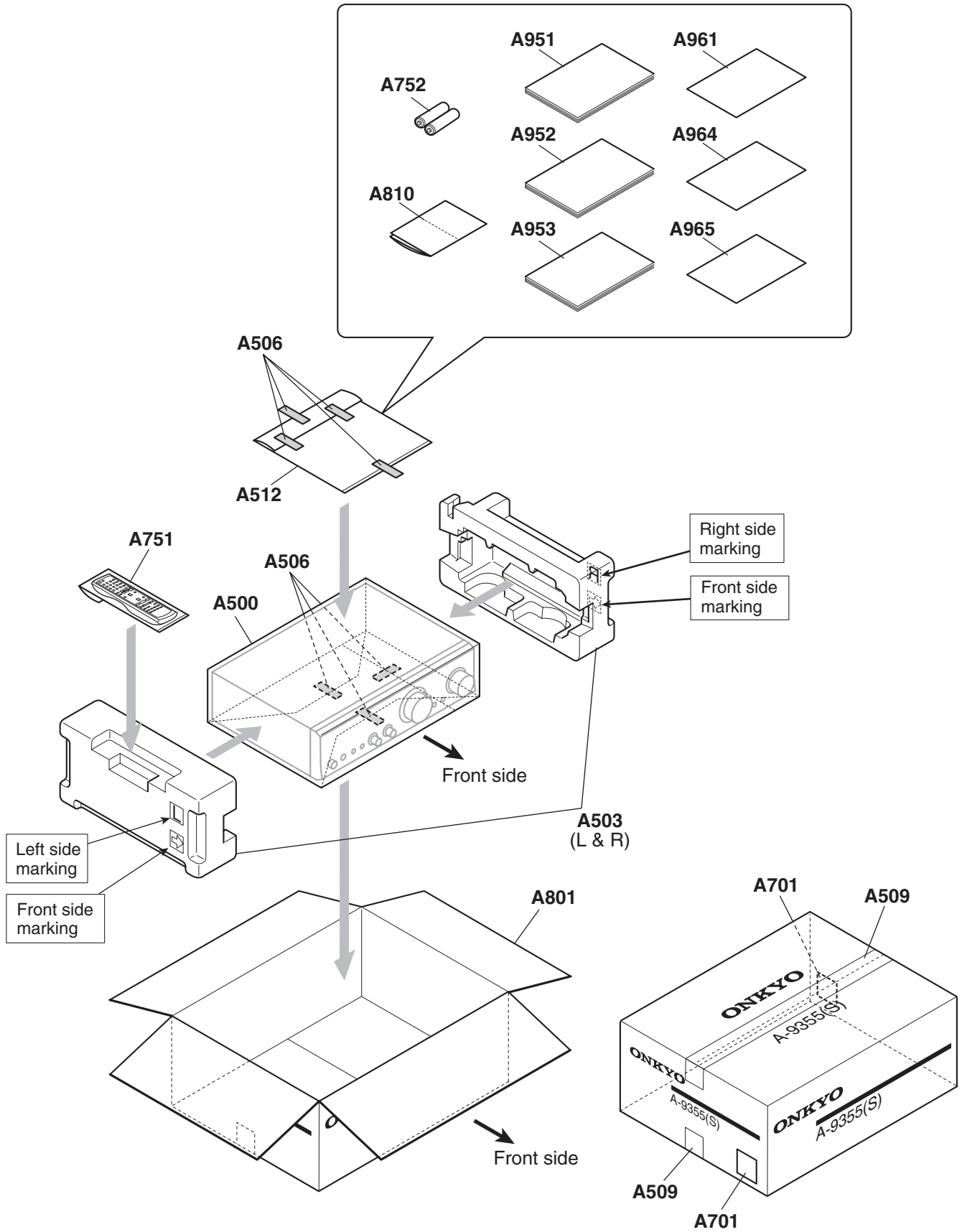
THIS SYMBOL LOCATED NEAR THE FUSE INDICATES THAT THE FUSE USED IS SLOW OPERATING TYPE FOR CONTINUED PROTECTION AGAINST FIRE HAZARD. REPLACE WITH SAME TYPE FUSE. FOR FUSE RATING REFER TO THE MARKING ADJACENT TO THE SYMBOL.



CE SYMBOLE INDIQUE QUE LE FUSIBLE UTILISE EST E LENT.POUR UNE PROTECTION PERMANENTE,N'UTILISER QUE DES FUSIBLES DE MEME TYPE. CE DARNIER EST INDIQUE LA QU LE PRESENT SYMBOLE EST APPOSE.



PACKING PROCEDURE



A

B

C

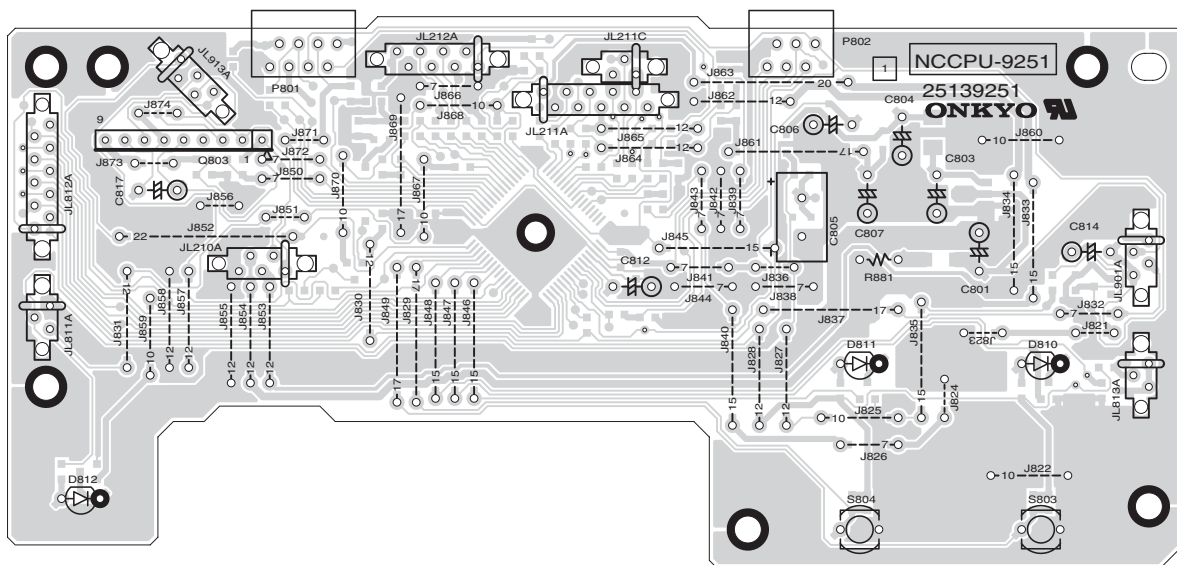
D

PRINTED CIRCUIT BOARD VIEWS-1

U01 MICROPROCESSOR PC BOARD (NACPU-9251)

Component side

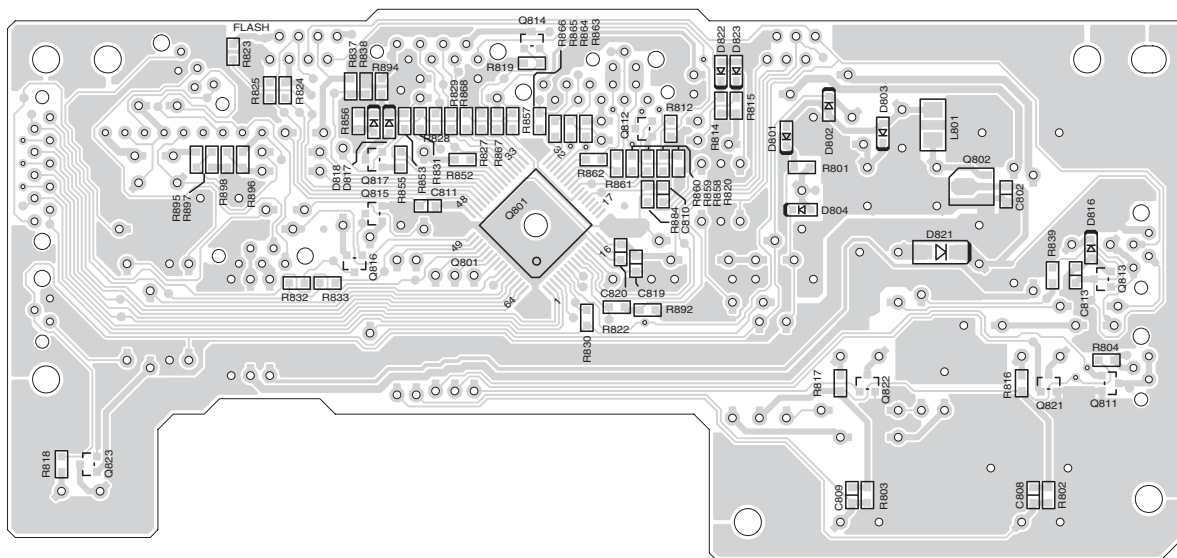
1



2

3

Soldering side



4

5

A

B

C

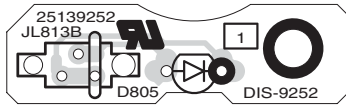
D

PRINTED CIRCUIT BOARD VIEWS-2

U02 LED PC BOARD (NADIS-9252)

Component side

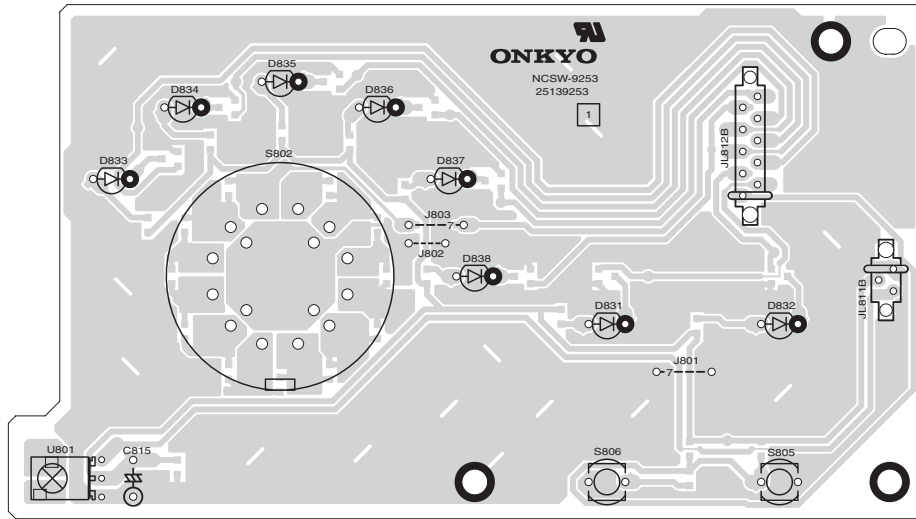
1



U03 SELECTOR PC BOARD (NASW-9253)

Component side

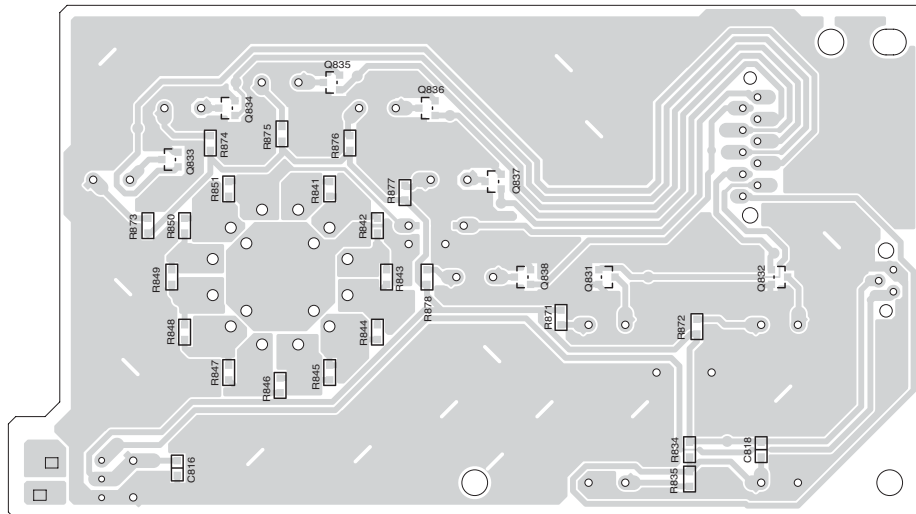
2



3

Soldering side

4



5

A

B

C

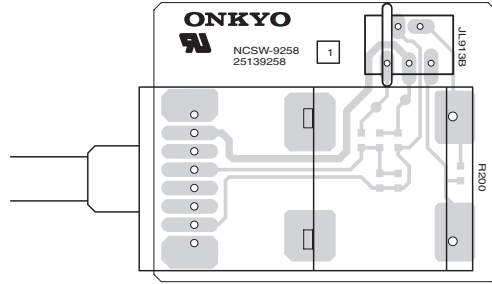
D

PRINTED CIRCUIT BOARD VIEWS-3

U05 VOLUME PC BOARD (NASW-9258)

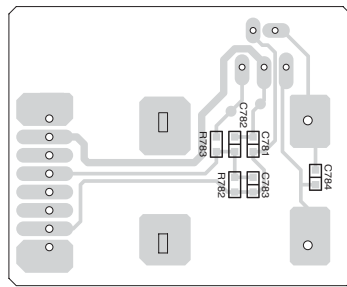
Component side

1



Soldering side

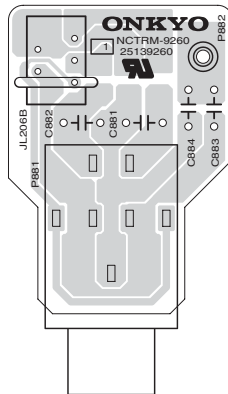
2



U06 HEADPHONE JACK PC BOARD (NATRM-9260)

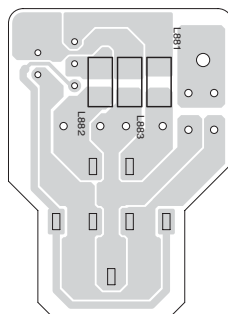
Component side

3



Soldering side

4



5

A B C D E F G H

PRINTED CIRCUIT BOARD VIEWS-4

U08 PRE-AMPLIFIER PC BOARD (NAAF-9280)

Component side

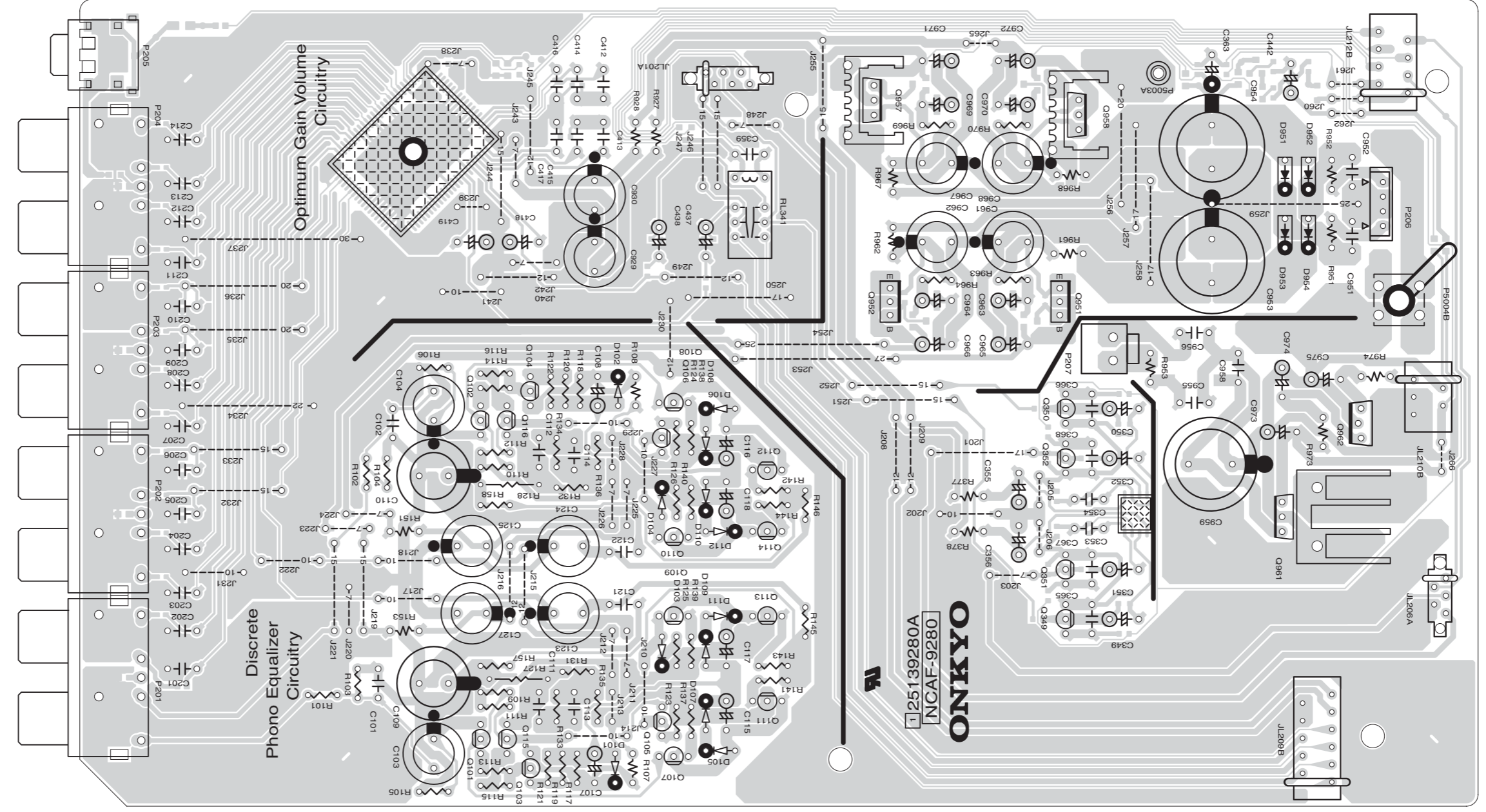
1

2

3

4

5



A B C D E F G H

PRINTED CIRCUIT BOARD VIEWS-5

U08 PRE-AMPLIFIER PC BOARD (NAAF-9280)

Soldering side

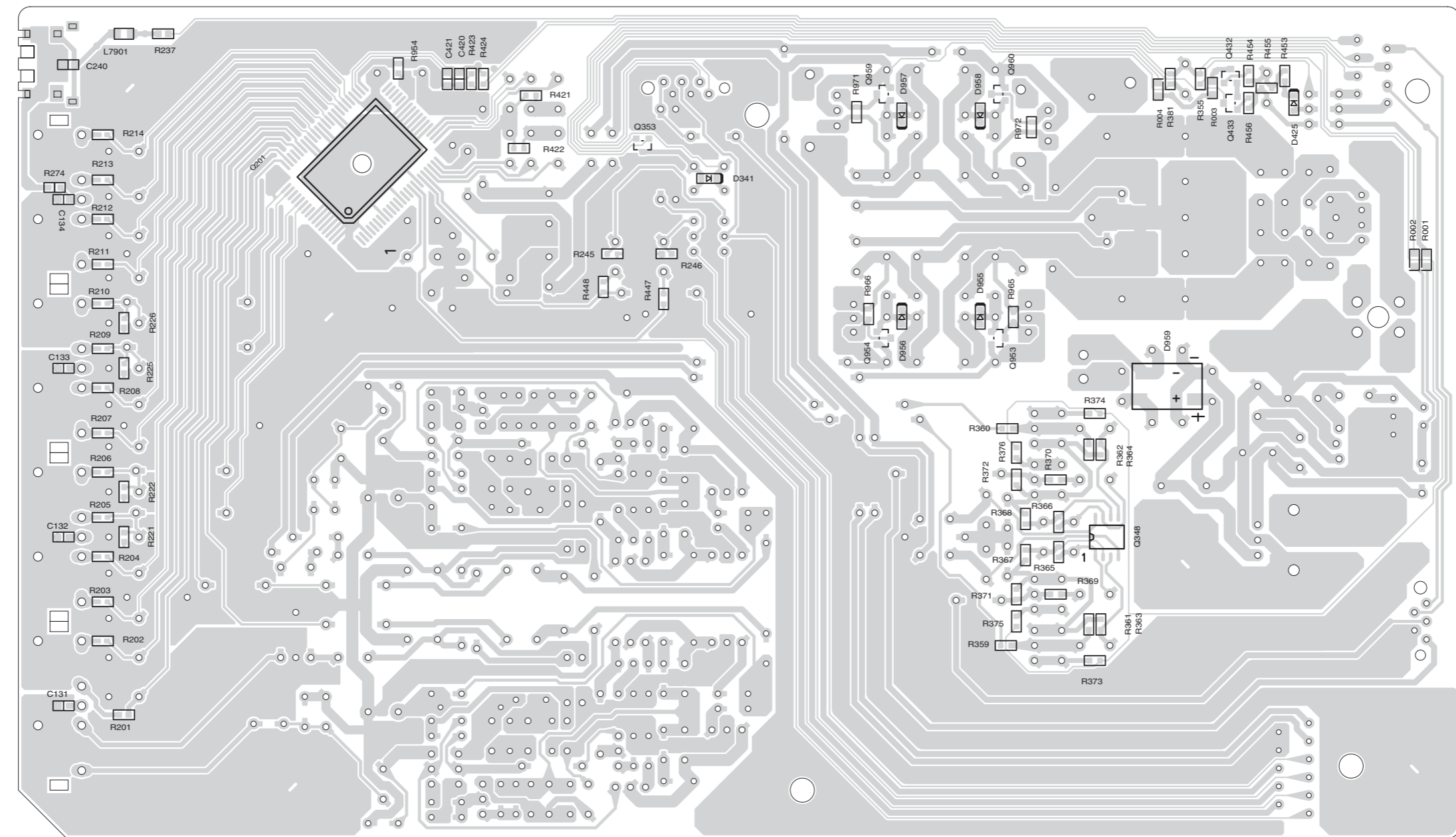
1

2

3

4

5



A

B

C

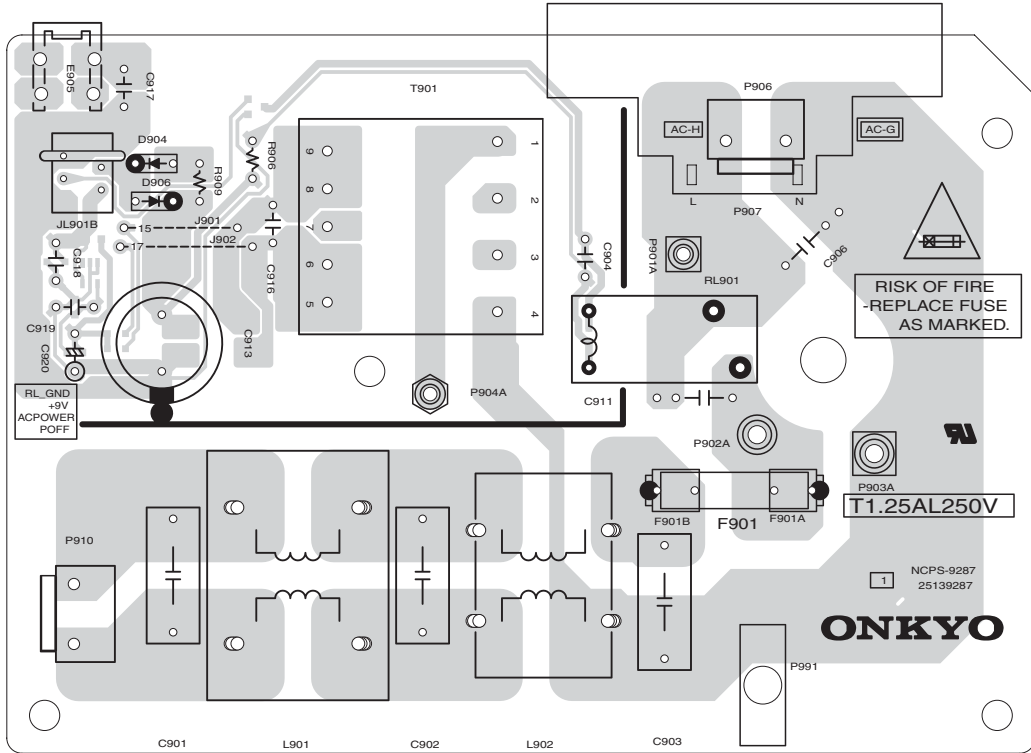
D

PRINTED CIRCUIT BOARD VIEWS-6

U09 POWER SUPPLY PC BOARD (NAPS-9287)

Component side

1

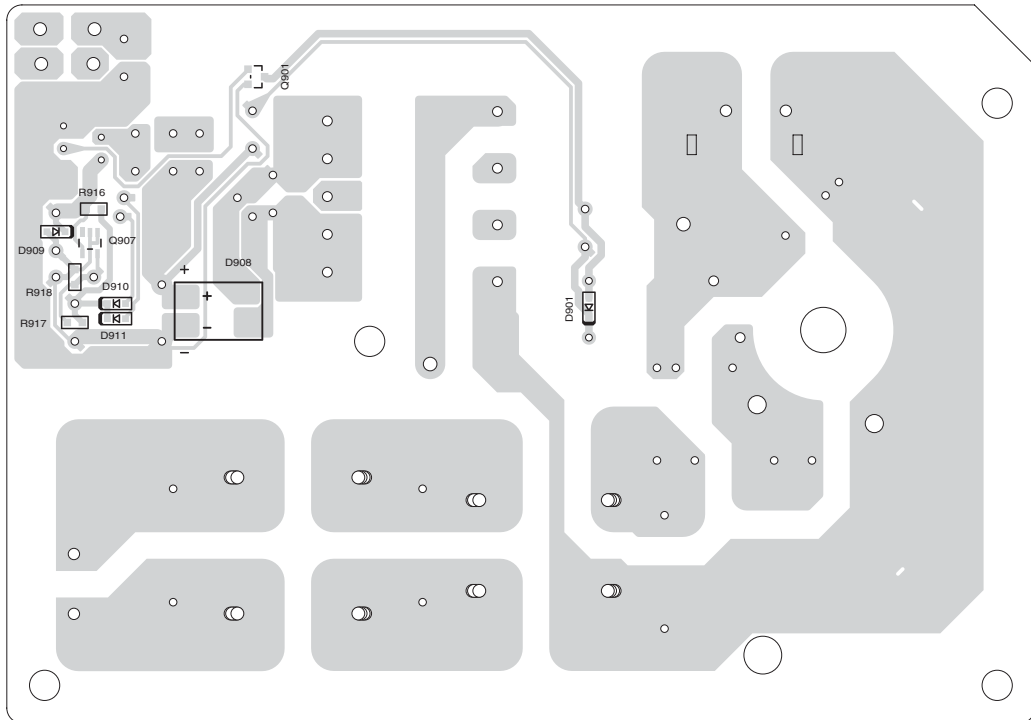


2

3

Soldering side

4



5

A

B

C

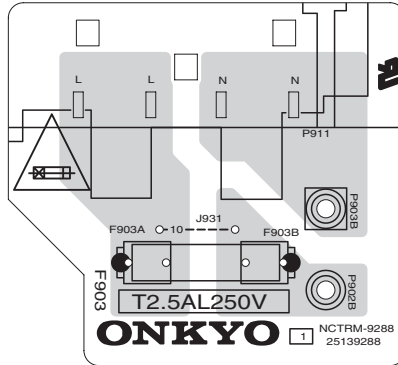
D

PRINTED CIRCUIT BOARD VIEWS-7

U10 OUTLET PC BOARD (NATRM-9288)

<Note>
MPP, MGT, MDT type only
Component side

1

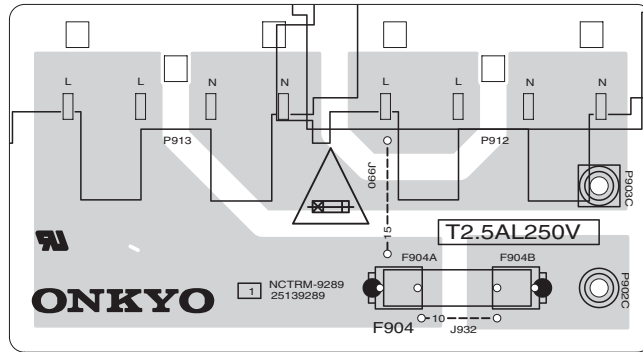


2

U11 OUTLET PC BOARD (NATRM-9289)

<Note>
MGR type only
Component side

3

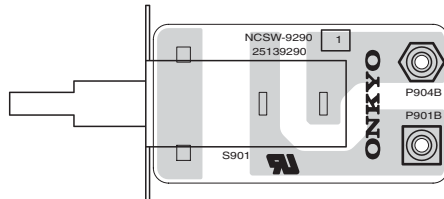


4

U12 POWER SWITCH PC BOARD (NASW-9290)

Component side

5



A

B

C

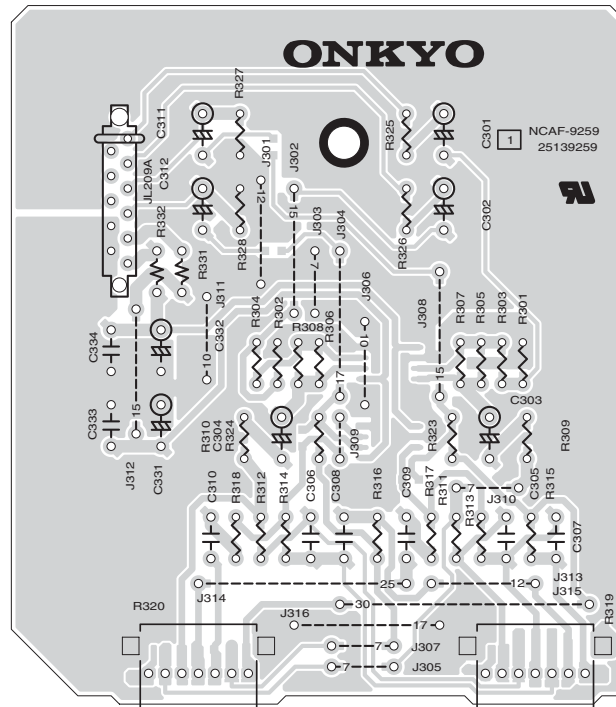
D

PRINTED CIRCUIT BOARD VIEWS-8

U13 TONE CONTROL PC BOARD (NAAF-9259)

Component side

1

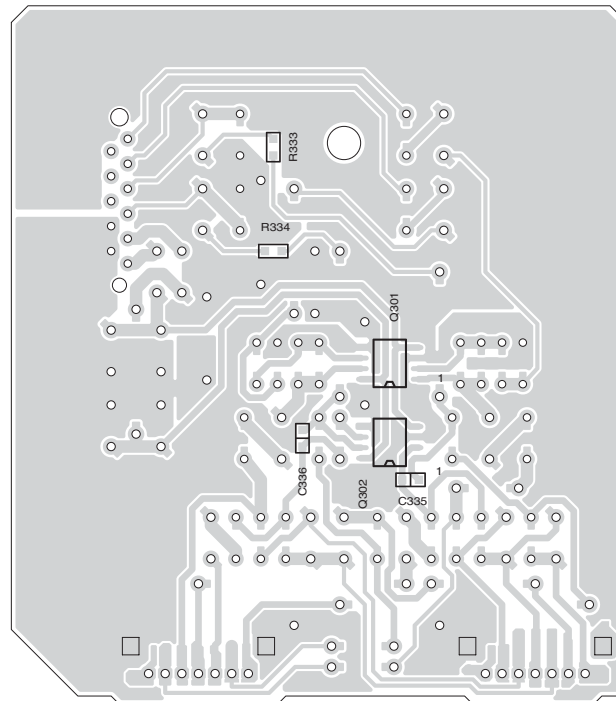


2

3

Soldering side

4



5

A

B

C

D

PRINTED CIRCUIT BOARD VIEWS-9

U14 POWER AMPLIFIER PC BOARD (NACLD-9283)

Side-A

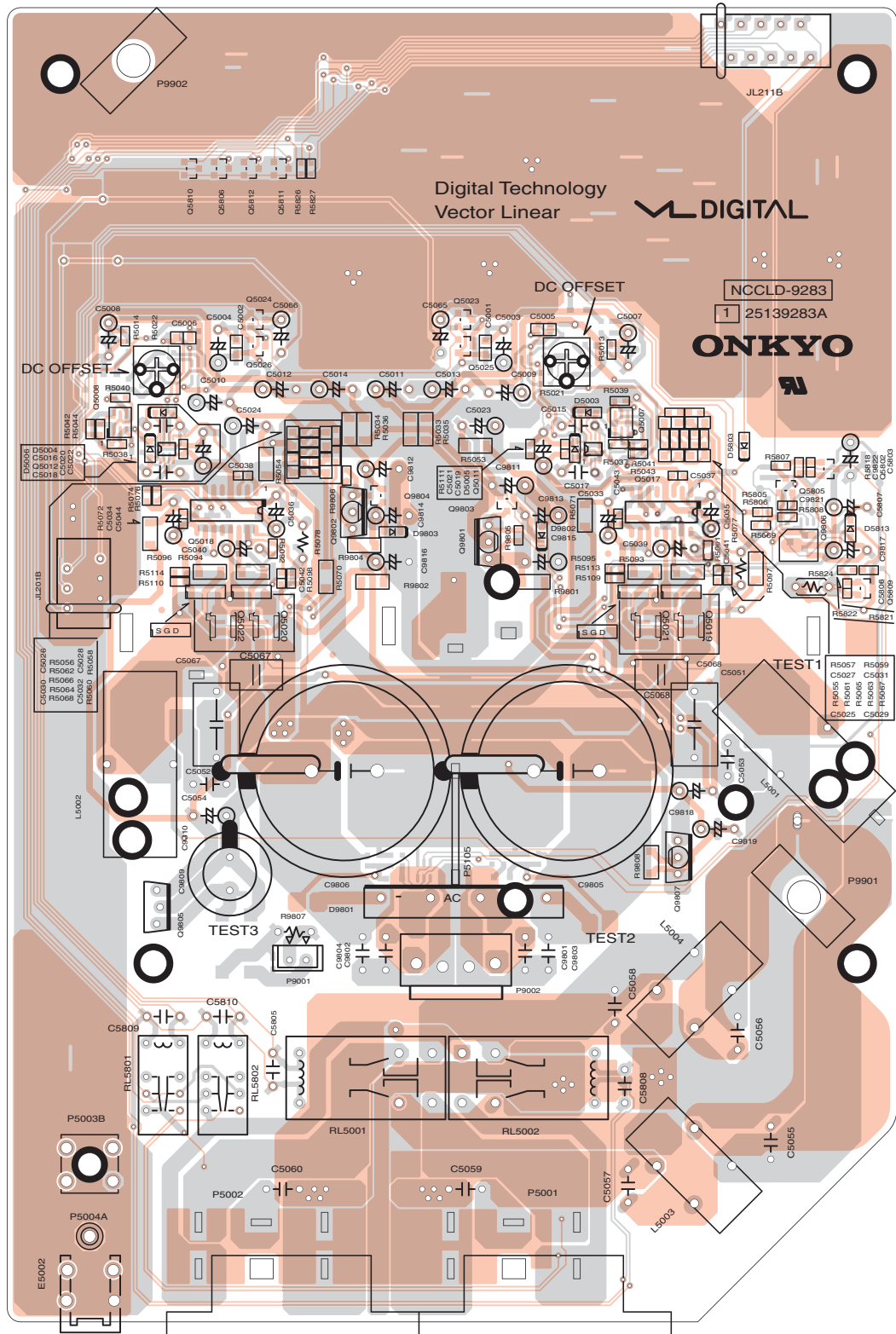
1

2

3

4

5



A

B

C

D

PRINTED CIRCUIT BOARD VIEWS-10

U14 POWER AMPLIFIER PC BOARD (NACLD-9283)

Side-B

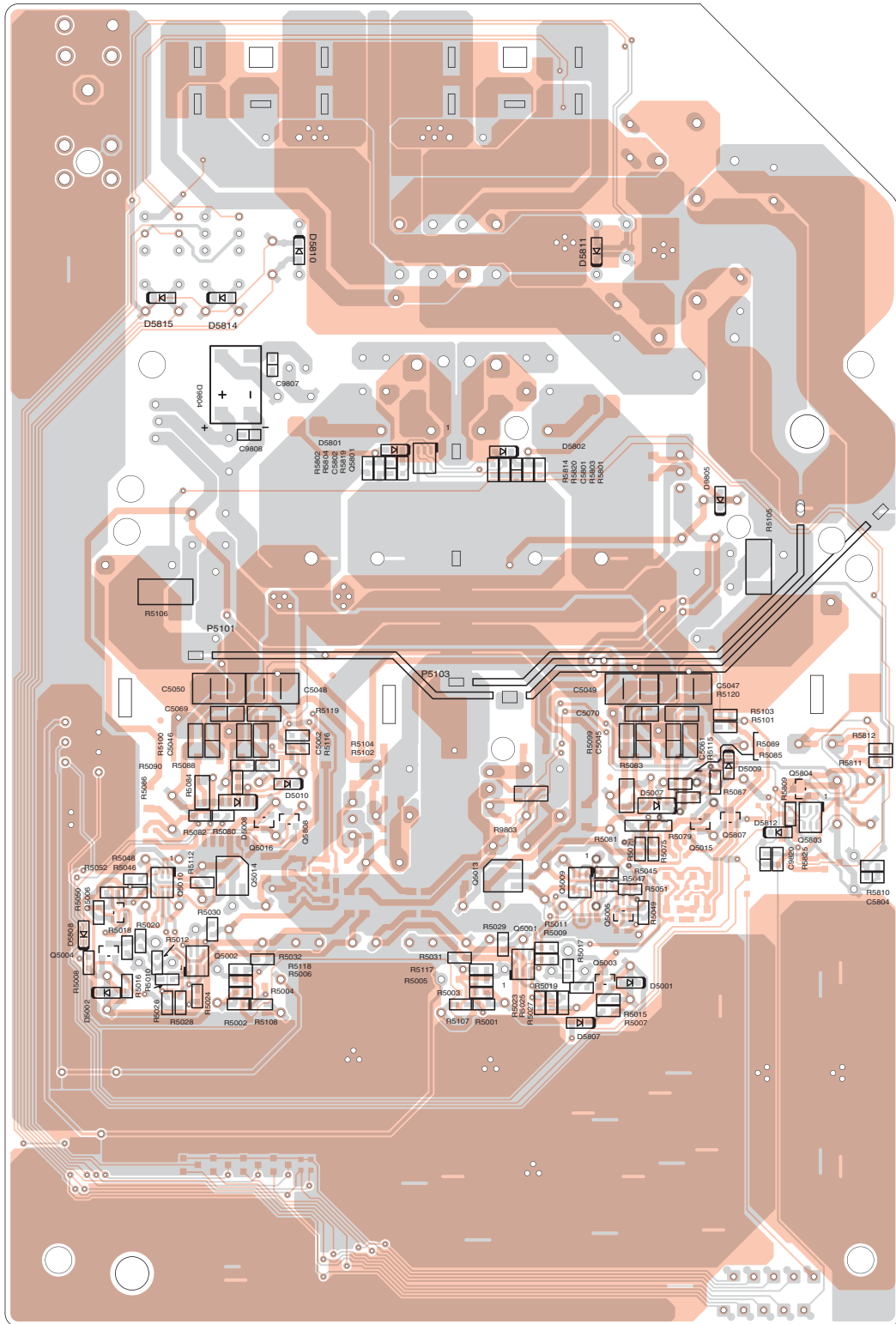
1

2

3

4

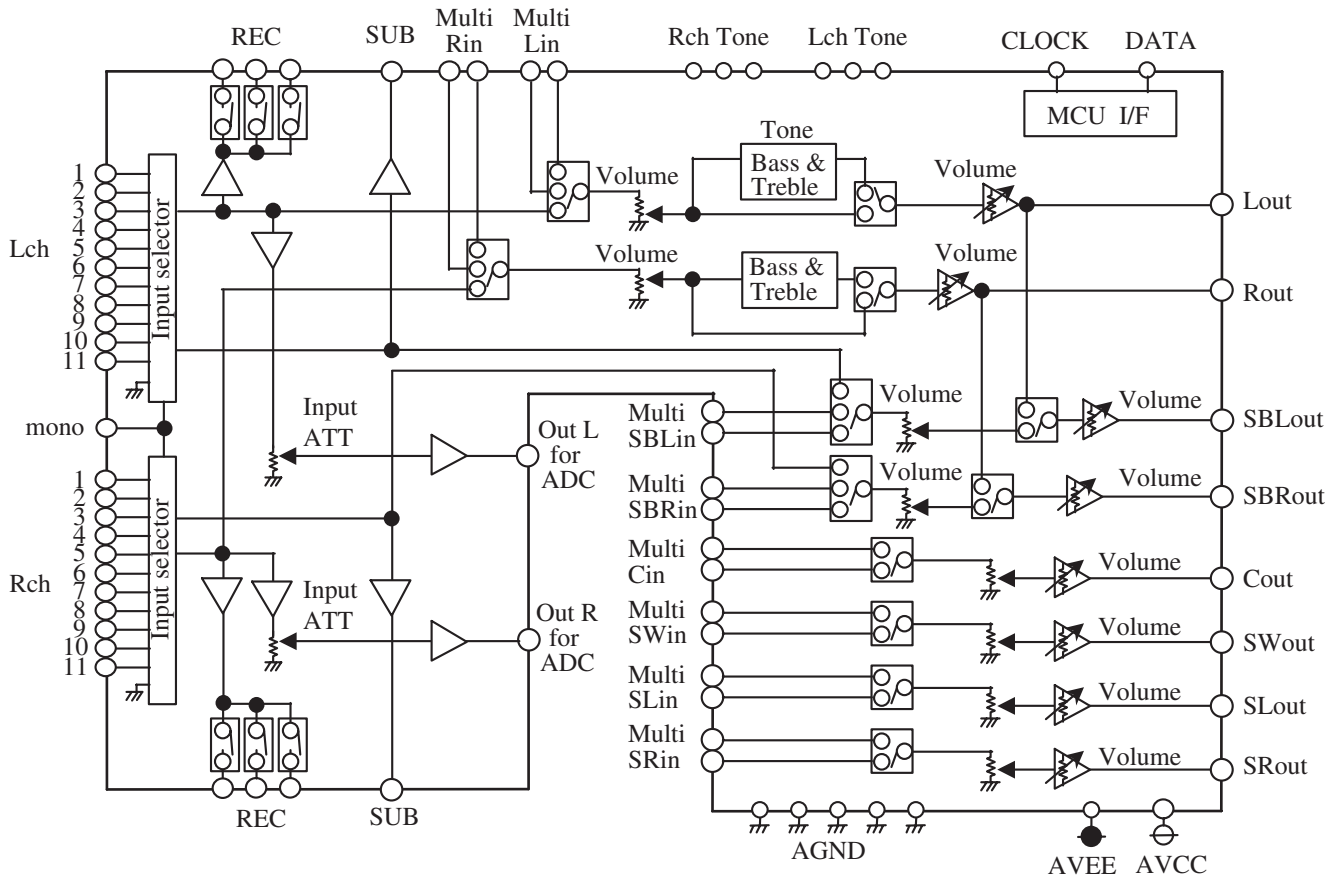
5



IC BLOCK DIAGRAMS AND TERMINAL DESCRIPTIONS-1

Q201 : R2S15211FP (8 ch Electronic Volume and 11 Input Selector and Tone Control)-1/3

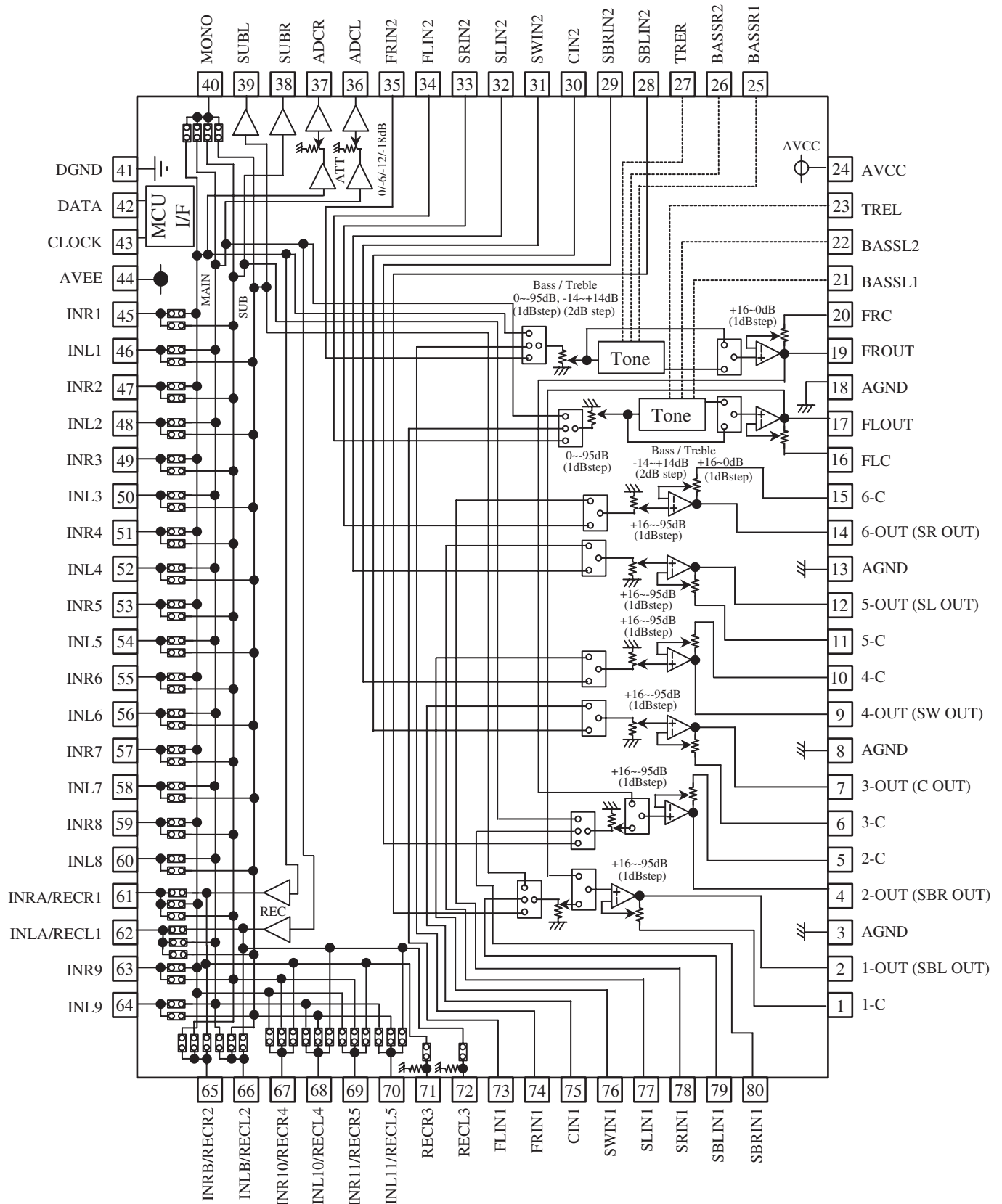
SYSTEM BLOCK DIAGRAM



IC BLOCK DIAGRAMS AND TERMINAL DESCRIPTIONS-2

Q201 : R2S15211FP (8 ch Electronic Volume and 11 Input Selector and Tone Control)-2/3

BLOCK DIAGRAM AND PIN CONFIGURATION



IC BLOCK DIAGRAMS AND TERMINAL DESCRIPTIONS-3

Q201 : R2S15211FP (8 ch Electronic Volume and 11 Input Selector and Tone Control)-3/3

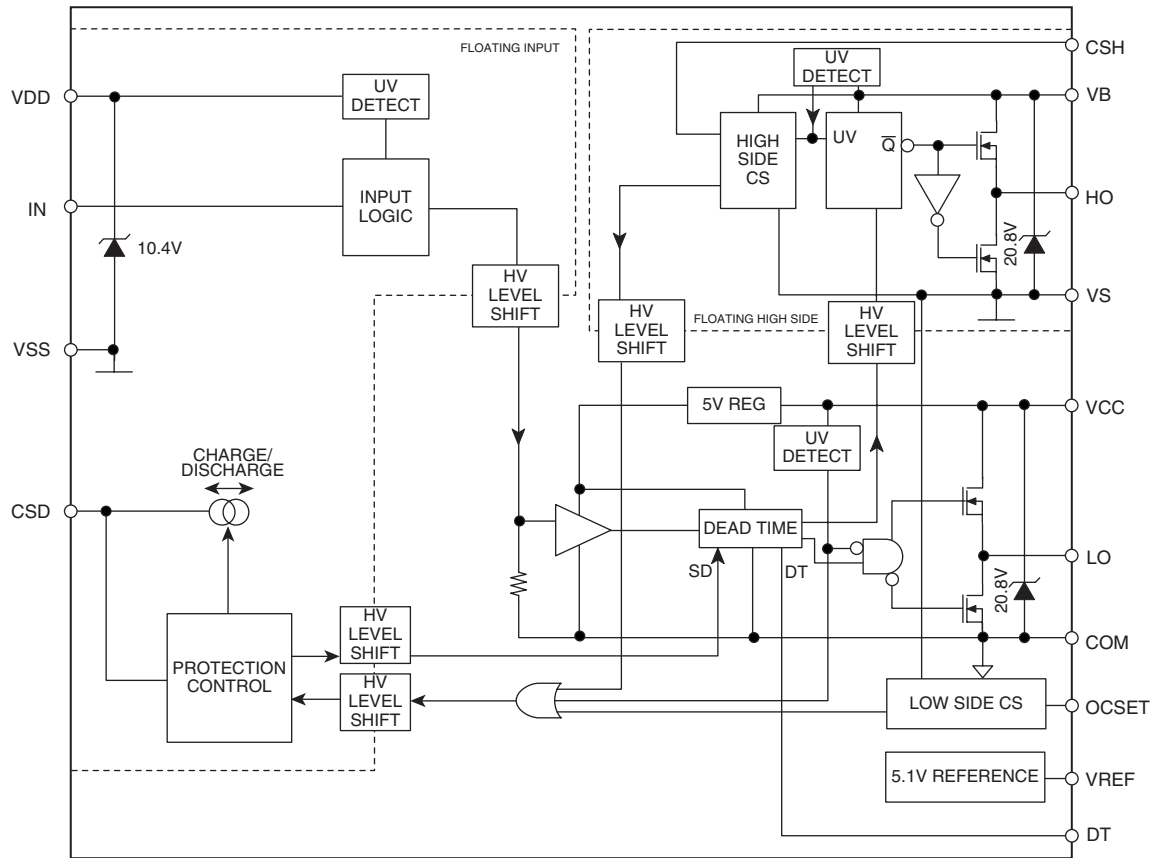
TERMINAL DESCRIPTION

PIN No.	Name	Function
19,17, 14,12, 9,7, 4,2	FROUT,FLOUT, 6-OUT,5-OUT, 4-OUT, 3-OUT, 2-OUT,1-OUT	Output pin of FL/FR/C/SW/SL/SR/SBL/SBR channel
20,16, 15,11, 10,6, 5,1	FRC,FLC, 6-C,5-C, 4-C,3-C, 2-C,1-C	Connects capacitor for reducing click noise of L/R/C/SW/SL/SR/SBL/SBR channel volume
3,8, 13,18	AGND	Analog ground of internal circuit
23,27	TREL, TRER	Frequency characteristic setting pin of L/R channel tone control(Treble)
21,22, 25,26	BASSL1, BASSL2 BASSR1, BASSR2	Frequency characteristic setting pin of L/R channel tone control(Bass)
24	AVCC	Positive power supply to internal circuit
35,34, 33,32, 31,30, 29,28	FRIN2, FLIN2, SRN2,SLIN2, SWIN2,CIN2, SBRIN2,SBLIN2	Input pin of L/R/C/SW/SL/SR/SBL/SBR channel (Multi IN 1/2)
73,74, 75,76, 77,78, 79,80	FLIN1, FRIN1, CIN1,SWIN1, SLIN1,SRIN1, SBLIN1,SBRIN1	
41	DGND	Digital ground of internal circuit
42	DATA	Input pin of control data
43	CLOCK	Input pin of control clock
44	AVEE	Negative power supply to internal circuit
46,48,50, 52,54,56, 58,60,64	INL1, INL2, INL3, INL4, INL5, INL6, INL7, INL8, INL9	Input pin of L/R channel (Input Selector)
45,47,49, 51,53,55, 57,59,63	INR1, INR2, INR3, INR4, INR5, INR6, INR7, INR8, INR9	
40	MONO	Input pin of monaural (Input Selector)
38,39	SUBL,SUBR	Output pin for L/R channel SUB Output
36,37	ADCL, ADCR	Output pin for L/R channel ADC
72	RECL3	Output pin for L/R channel REC Output
71	RECR3	
61,62, 65,66, 67,68, 69,70	INRA/RECR1,INLA/RECL1, INRB/RECR2,INLB/RECL2, INR10/RECR4,INL10/RECL4, INR11/RECR5,INL11/RECL5	Input pin of L/R channel (Input Selector)/ Output pin for L/R channel REC Output

IC BLOCK DIAGRAMS AND TERMINAL DESCRIPTIONS-4

Q5017, Q5018 : IRS20954S (Digital Audio Driver)

BLOCK DIAGRAM



TERMNAL DESCRIPTION

Pin No.	Pin Name	Description
1	VDD	Floating input positive supply.
2	CSD	Shutdown timing capacitor, referenced to VSS.
3	IN	PWM non-inverting input, in phase with HO.
4	VSS	Floating input supply return.
5	NC	---
6	VREF	5V reference output for setting OCSET.
7	OCSET	Low side over-current threshold setting, referenced to COM.
8	DT	Input for programmable deadtime, referenced to COM.
9	COM	Low side supply return.
10	LO	Low side output.
11	VCC	Low side logic supply.
12	NC	---
13	VS	High side floating supply return.
14	HO	High side output.
15	VB	High side floating supply.
16	CSH	High side over-current sensing input, referenced to VS.

MICROPROCESSOR TERMINAL DESCRIPTIONS-1

Q801 : MPD78F0532GK

PIN No.	PIN NAME	I/O	ACT.	DESCRIPTION
1	TAPE LED	O	H	TAPE LED control voltage output.
2	DIRECT LED	O	H	DIRECT LED control voltage output.
3	LOUDNESS LED	O	H	LOUDNESS LED control voltage output.
4	NU	---	---	Not used.
5	ACPOWER	O	H	Main power control voltage output.
6	RESET	I	L	Reset signal input.
7	NU	---	---	Not used.
8	NU	---	---	Not used.
9	DEBUG FLMDO	---	---	For debug.
10	DEBUG X2	---	---	For debug.
11	DEBUG X1	---	---	For debug.
12	REGC	---	---	Connect to capacitor for internal power supply .
13	VSS	---	---	Ground.
14	EVSS	---	---	Ground.
15	VDD	---	---	Power supply.
16	EVDD	---	---	Power supply.
17	NU	---	---	Not used.
18	NU	---	---	Not used.
19	NU	---	---	Not used.
20	NU	---	---	Not used.
21	POFF	I	L	Power failure detection voltage input.
22	NU	---	---	Not used.
23	AMUTE	O	L	Audio muting control voltage input.
24	RCPOWER	O	L	Initial current control output of power amplifier.
25	DG MUTE	O	H	Control output of digital audio driver IC (IRS20954S).
26	PROTECT_I	I	H	Speaker protect detection voltage input.
27	SPA_RL	O	H	Speakers-A relay control voltage input.
28	SPB_RL	O	H	Speakers-B relay control voltage input.
29	NU	---	---	Not used.
30	NU	---	---	Not used.
31	NU	---	---	Not used.
32	NU	---	---	Not used.
33	NU	---	---	Not used.
34	HP_IN	I	H	Headphone detection input.
35	SEL_DATA	O	H	Data output to selector/volume IC (R2S15211FP).
36	SEL_CLK	O	H	Clock output to selector/volume IC (R2S15211FP).
37	TONE_RL	O	L	DIRECT/TONE relay control voltage output.
38	REMIN	I	L	Signal input from remote sensor.
39	SYSOUT	O	L	RI (system control) output.
40	SYSIN	I	L	RI (system control) input.

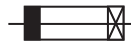
MICROPROCESSOR TERMINAL DESCRIPTIONS-2

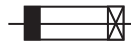
Q801 : MPD78F0532GK

PIN No.	PIN NAME	I/O	ACT.	DESCRIPTION
41	MODE	I	H	For model setting.
42	VOLUP	O	H	Volume up control voltage output.
43	VOLDN	O	H	Volume down control voltage output.
44	FLSI	O	---	For flash writer (SI).
45	FLSO	O	---	For flash writer (SO).
46	FLSCK	O	CLK	For flash writer (SCK).
47	AVREF	---	---	Power supply.
48	AVSS	---	---	Power supply.
49	VOLAD	I	A/D	Volume position detection voltage input.
50	SELECTOR	I	A/D	Selector position detection voltage input.
51	SPEAKER A	I	L	SPEAKERS-A key control input.
52	SPEAKER B	I	L	SPEAKERS-B key control input.
53	PURE/LOUD	I	L	PURE DIRECT key control input.
54	STANDBY_LED	O	H	STANDBY LED control voltage output.
55	SPA_LED	O	H	SPEAKERS-A LED control voltage output.
56	SPB_LED	O	H	SPEAKERS-B LED control voltage output.
57	NU	---	---	Not used.
58	MUTE_LED	O	H	MUTING LED control voltage output.
59	NU	---	---	Not used.
60	DOCK_LED	O	H	DOCK LED control voltage output.
61	MD_LED	O	H	LINE/MD LED control voltage output.
62	PHONO_LED	O	H	PHONO LED control voltage output.
63	CD_LED	O	H	CD LED control voltage output.
64	TUNER_LED	O	H	TUNER LED control voltage output.

SERVICE PROCEDURE

1. Replacing the fuses

 This symbol located near the fuse indicates that the fuse used is show operating type. For continued protection against fire hazard, replace with same type fuse , For fuse rating, refer to the marking adjust to the symbol.

 Ce symbole indique que le fusible utilise est e lent. Pour une protection permanente, n'utiliser que des fusibles de meme type. Ce demier est indique la qu le present symbol est apposre.

REF.NO.	PART NAME	DESCRIPTION	Q'TY	PART NO.	REMARKS
F901	FUSE	1.25A-SE-TL250V	1	252272GR	!, <MPP>
F901	FUSE	1.25A-SE-TL250V	1	252272GR	!, <MGT>
F901	FUSE	2.5A-T/UL-ST2	1	252254GR	!, <MDT>
F901	FUSE	1.25A-SE-TL250V	1	252272GR	!, <MGR>

<Notes>

<MPP> : European model

<MGT>: Asian model

<MDT>: Taiwanese model

<MGR> : Chinese model

2. Initialize the unit.

(1) Press and hold down the LOUDNESS button, then press the PURE DIRECT button.

All input indicators (LED) light up. (1 sec) ---> Power on state.

Memory is initialized.

(2) Disconnect the AC power cord from a wall outlet.

3. Setting position before shipment.

(1) POWER switch : OFF

(2) BASS : CENTER

(3) TREBLE : CENTER

(4) SPEAKER SELECTOR : SPEAKER A

(5) VOLUME : MIN.

4. Turning on the system from Standby without using remote controller.

Begin by turning the POWER switch off . Next, with the SPEAKERS A button pressed, turn the POWER switch on.

OPERATION CHECK-1

SPEAKER PROTECT-1 (CURRENT DETECTION)

[When]

Exchange parts on Power amplifier PC board (NACLD-9283) and PC board ass'y.

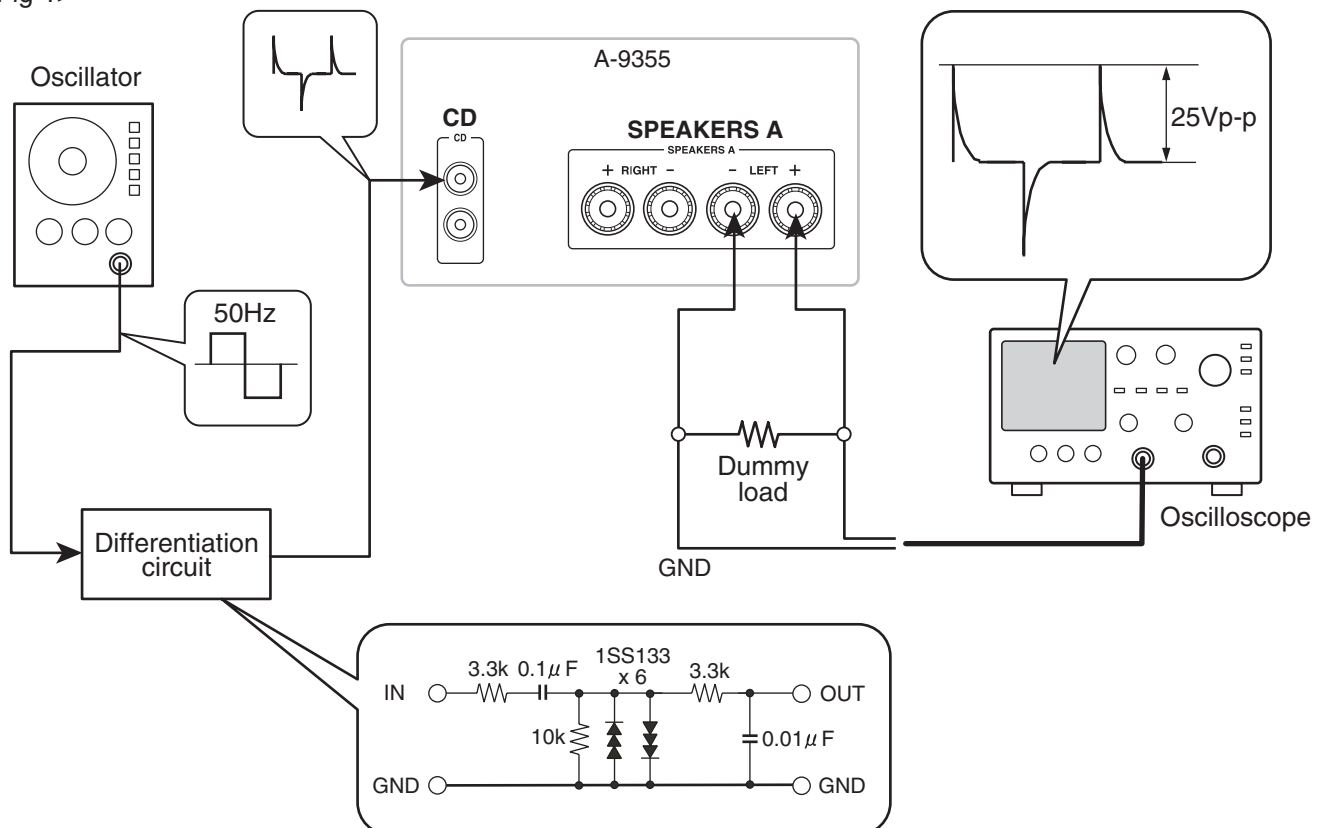
<Note>

1. Do not check two or more channels at the same time.
2. Do not connect dummy load to speaker terminal longer than 2 seconds.

[Procedure]

1. Connect the AC power cord to a wall outlet and turn on the unit.
2. Set the unit as follows.
VOLUME : MIN. , SPEAKERS : A, SELECTOR : CD, PURE DIRECT : ON
3. Connect the oscilloscope to SPEAKERS A Lch. Refer to <Fig-1>
4. A square wave of 50Hz is output from the oscillator, and this signal is input to the CD via the differentiation circuit.
5. Adjust for the output wave form of the SPEAKERS A Lch to become 25 Vp-p by adjusting VOLUME.
6. Connect the 2 ohms dummy load to the SPEAKERS A Lch.
And check the speaker relay RL5001 is not turned off.
7. Connect the 1 ohm dummy load to the SPEAKERS A Lch terminal.
And check speaker relay RL5001 is immediately turned off and power indicator blinks.
Do not connect the load for 2 seconds or more when it doesn't turn off the relays.
8. Check Rch according to the same procedure.
9. Press POWER button to turn off the unit.
10. Disconnect the AC power cord and oscilloscope.

<Fig-1>



OPERATION CHECK-2

SPEAKER PROTECT-2 (DC VOLTAGE DETECTION)

[When]

Exchange parts on Power amplifier PC board (NACLD-9283) and PC board ass'y.

<Note>

1. Try again if protect did not work at the first time.
2. Do not connect load or short speaker terminals.

[Procedure]

1. Connect the AC power cord to a wall outlet and turn on the unit.
2. Set the unit as follows.
VOLUME : MAX. , SPEAKERS : A, SELECTOR : CD, PURE DIRECT : ON
3. Input +1.5 to +3 V DC voltage to CD Lch.
And check speaker relay RL5001 is immediately turned off and power indicator blinks.
4. Check Rch according to the same procedure.
5. Press POWER button to turn off the unit.
6. Disconnect the AC power cord.

OPERATION CHECK-3

PONPING DETECTION/ THERMAL SENSOR/ CARRIER WAVEFORM

[When]

Exchange parts on Power amplifier PC board (NACLD-9283) and PC board ass'y.

[Procedure]

1. Connect the AC power cord to a wall outlet and turn on the unit.
2. Set the unit as follows.

VOLUME : MIN. , SPEAKERS : A

Ponping protect

1. Check to turn off speaker relay (RL5001) after short circuiting TEST2 by resistance 27 kohms. Refer to <Fig-1>
2. Check to turn off speaker relay (RL5001) after short circuiting TEST3 by resistance 27 kohms. Refer to <Fig-1>

Thermal sensor

Check to turn off speaker relay (RL5001) after short circuiting TEST1 and GND by resistance 390 ohms.

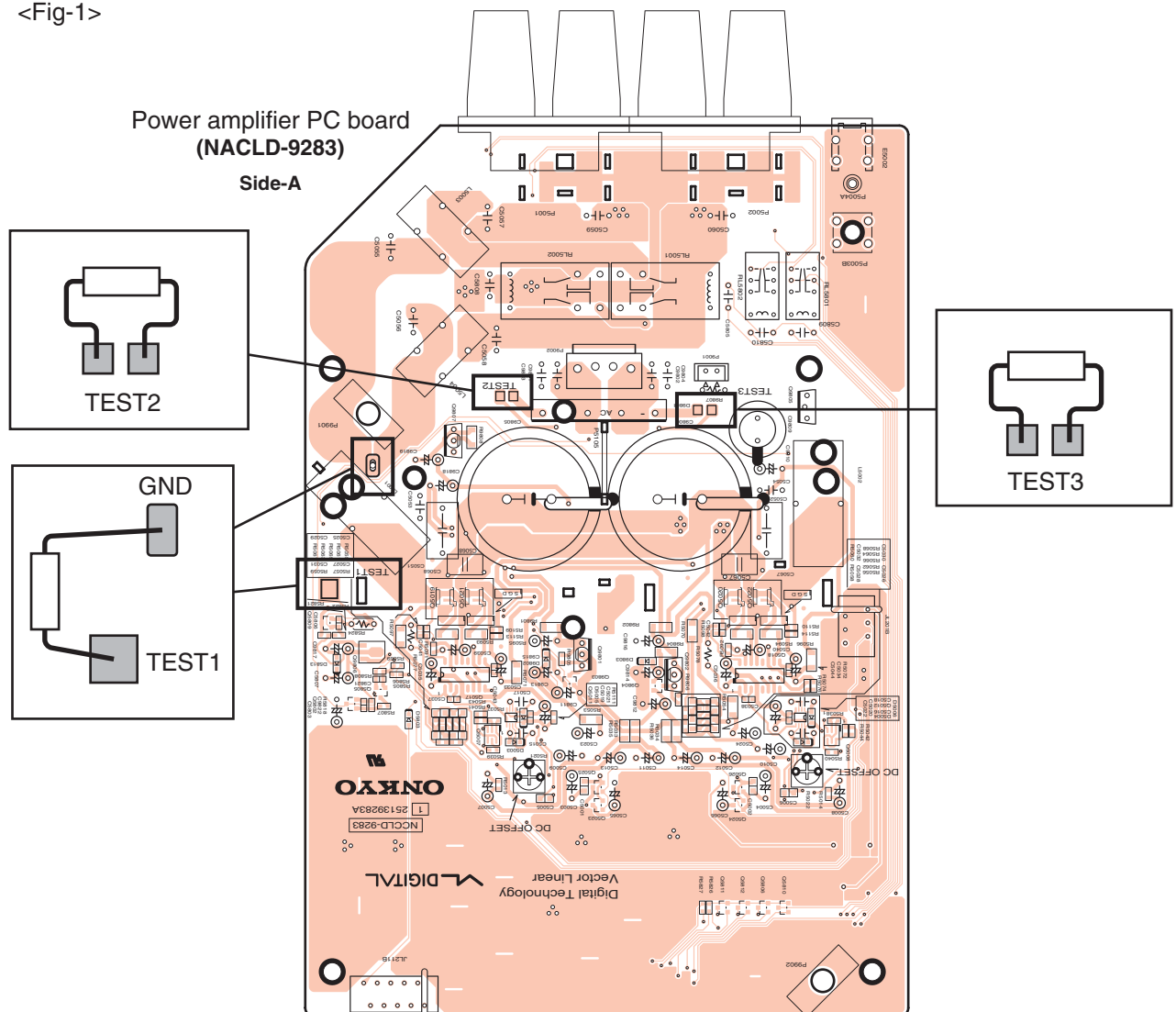
Refer to <Fig-1>

Carrier wave

Check the carrier waveform of each ch of SPEAKERS A by oscilloscope (without low pass filter).

Level is about **1.5 Vp-p**, it is OK.

<Fig-1>



ADJUSTMENT PROCEDURE

DC OFFSET ADJUSTMENT

[When]

1. Exchange the parts on the POWER AMPLIFIER PC board (NACLD-9283).
2. Exchange the POWER AMPLIFIER PC board ass'y (NACLD-9283).
3. Exchange the power trans (T911).

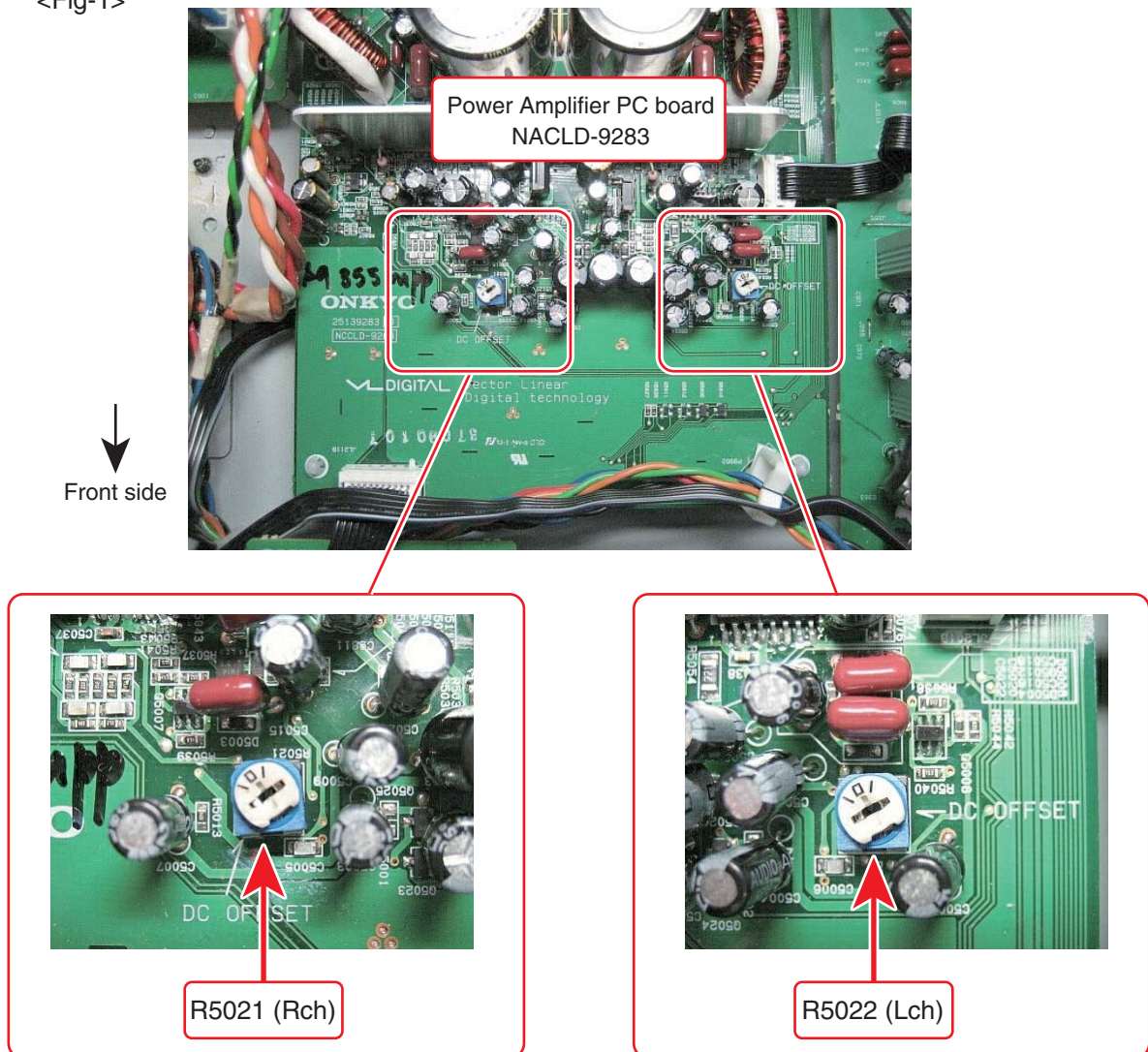
<Note>

No signal and No load.

[Procedure]

1. Connect the DC voltmeter to the SPEAKER A terminals.
2. Connect the power cord to the wall outlet and press the POWER switch to unit is power on.
3. Speaker selector : SPEAKER A, Volume : MIN.
4. Adjust the trimming resistor R5022 (Lch) and R5021 (Rch) so that the reading of DC voltmeter becomes DC 0 +/-10 mV.
Refer to <Fig-1> .
5. Wait for 3 minutes.
6. Re-adjust the trimming resistor R5022 (Lch) and R5021 (Rch) so that the reading of DC voltmeter becomes DC 0 +/-10 mV.
7. Press the POWER switch to unit is power off and Disconnect the power cord from the wall outlet.
8. Disconnect the DC voltmeter.

<Fig-1>



A-9355

<Note>

Parts marked by "NSP" are generally unavailable because they are not in our Master Spare Parts List.

**NOTE : THE COMPONENTS IDENTIFIED BY THE MARK
! ARE CRITICAL FOR RISK OF FIRE AND
ELECTRIC SHOCK. REPLACE ONLY WITH PART
NUMBER SPECIFIED.**

<Notes>

(B) : Black model

(S) : Silver model

(G) : Golden model

<MPP> : European model

<MGT>: Asian model

<MDT>: Taiwanese model

<MGR> : Chinese model

EXPLODED VIEW PARTS LIST

REF. NO.	PART NAME	DESCRIPTION	Q'TY	PART NO. (SN)	REMARKS
EV A001	F BRACKET	(B)	1	27111482	(B)
EV A001	F BRACKET	(S)	1	27111481	(S)
EV A001	F BRACKET	(G)	1	27111483	(G)
EV A004	SCREW	3TTB+8B(3CM)SR	8	801637	
EV A007	SCREW	3TTB+8B(3CM)SR	2	801637	
EV A010	SCREW	3TTB+8B(3CM)SR	1	801637	
EV A013	SCREW	3P+10FN(3BC)	2	82143010GR	
EV A016	SCREW	3TTB+8B(3CM)SR	2	801637	
EV A019	SCREW	3TTB+8B(3CM)SR	5	801637	
EV A022	SCREW	3TTB+8B(3CM)SR	1	801637	
EV A025	CHASSIS	A-9355(S)M	1	27100495	
EV A026	SCREW	4TTC+8C(3BC)	4	830440089GR	
EV A027	SPACER	---	1	27270439	
EV A028	LEG	AS	4	27175412A	

EV	A031	SCREW	3TTB+8B(3BC)	4	838430088GR	
EV	A034	HOLDER	KGLS-18RT	13	27190657	
EV	A037	TRM	E-TERMINAL 3 x 14	1	25060044	
EV	A100	KNOB	(POWER-AS)	1	28326523	(B)
EV	A100	KNOB	(POWER-AS)	1	28326522	(S)
EV	A100	KNOB	(POWER-AS)	1	28326524A	(G)
EV	A103	FACET	(PURE)	4	28200024	
EV	A106	FACET	(POW)	1	28200025	
EV	A109	KNOB	(VOL)AS	1	28326564A	(B)
EV	A109	KNOB	(VOL)AS	1	28326563A	(S)
EV	A109	KNOB	(VOL)AS	1	28326565A	(G)
EV	A110	CUSHION	---	8	28141603-1	
EV	A112	KNOB	(TONE)	2	28326429	(B)
EV	A112	KNOB	(TONE)	2	28326428	(S)
EV	A112	KNOB	(TONE)	2	28326430	(G)
EV	A115	KNOB	(SEL)AS	1	28326423	(B)
EV	A115	KNOB	(SEL)AS	1	28326422	(S)
EV	A115	KNOB	(SEL)AS	1	28326424	(G)
EV	A116	CUSHION	---	4	28141603-1	
EV	A118	F PANEL	A9355(B)	1	27213000	(B)
EV	A118	F PANEL	A9355(S)	1	27212999	(S)
EV	A118	F PANEL	A9355(G)	1	27213001	(G)
EV	A121	GUIDE	(SEL-6)(B)	1	27268200	(B)
EV	A121	GUIDE	(SEL-6)(S)	1	27268199	(S)
EV	A121	GUIDE	(SEL-6)(G)	1	27268201	(G)
EV	A124	FACET	(SEL-6)	1	28200026	
EV	A127	CLEAR PLT	(RE-B)	1	28192136	(B)
EV	A127	CLEAR PLT	(RE-S)	1	28192135	(S)
EV	A127	CLEAR PLT	(RE-S)	1	28192135	(G)
EV	A130	FACET	(S)	1	28198906	
EV	A136	BADGE	---	1	28135244	(B)
EV	A136	BADGE	---	1	28135298	(S)
EV	A136	BADGE	---	1	28135245	(G)

EV	A139	SCREW	3TTB+8B(3BC)	3	838430088GR	
EV	A142	COVER	A-9355(B)	1	28184995A	(B)
EV	A142	COVER	A-9355(S)	1	28184994A	(S)
EV	A142	COVER	A-9355(G)	1	28184996A	(G)
EV	A145	SCREW	3TTB+8B(3BC)	6	838430088GR	(B)
EV	A145	SCREW	3TTB+8B(3CM)SR	6	801637	(S)
EV	A145	SCREW	3TTB+8B(3CM)SR	6	801637	(G)
EV	A200	REAR PANEL	A-9355<MPP>	1	27123692	<MPP>
EV	A200	REAR PANEL	A-9355MGT	1	27123693	<MGT>
EV	A200	REAR PANEL	A-9355MDT	1	27123695	<MDT>
EV	A200	REAR PANEL	A-9355MGR	1	27123694	<MGR>
EV	A203	SCREW	3TTB+8B(3BC)	17	838430088GR	<MPP>
EV	A203	SCREW	3TTB+8B(3BC)	17	838430088GR	<MGT>
EV	A203	SCREW	3TTB+8B(3BC)	17	838430088GR	<MDT>
EV	A203	SCREW	3TTB+8B(3BC)	19	838430088GR	<MGR>
EV	A206	STRAIN RELIEF	---	1	27301927	!, <MPP>
EV	A206	STRAIN RELIEF	---	1	27301927	!, <MGT>
EV	A206	BUSHING	S-RELIEF #2271	1	27300750	!, <MDT>
EV	A206	BUSHING	S-RELIEF #2271	1	27300750	!, <MGR>
EV	A209	HOLDER	(OUTLET)	2	27191143	(G) <MGR>
EV	F901	FUSE	1.25A-SE-TL250V	1	252272GR	!, <MPP>
EV	F901	FUSE	1.25A-SE-TL250V	1	252272GR	!, <MGT>
EV	F901	FUSE	2.5A-T/UL-ST2	1	252254GR	!, <MDT>
EV	F901	FUSE	1.25A-SE-TL250V	1	252272GR	!, <MGR>
EV	F903	FUSE	2.5A-SE-TL250V	1	252275GR	!, <MPP>
EV	F903	FUSE	2.5A-SE-TL250V	1	252275GR	!, <MGT>
EV	F903	FUSE	5A-T/UL-ST2	1	252258GR	!, <MDT>
EV	F904	FUSE	2.5A-SE-TL250V	1	252275GR	!, <MGR>
EV	P101A	SHORT PIN	YKV11-0435N	2	25056583	
EV	P5004C	SCREW	3TTB+8B(3CM)SR	1	801637	
EV	P5106	SHEET	(FET2)	2	29096049	
EV	P5107	HEAT SINK	(D)	1	27160606	
EV	P953	HOLDER	(CLAMP) WS-INS	2	27190541	

EV	P9901	CLAMP	HL-28-0	1	27301396	
EV	P9902	CLAMP	WS-2NS	1	27300833	
EV	P991	CLAMP	HL-28-0	1	27301396	
EV	R5824	THERMISTOR	PTH9M04BD222TS2F333	1	4000151	
EV	T911	P TRANS	NPT-1559P	1	2301915	!, <MPP>
EV	T911	P TRANS	NPT-1559G	1	2301914	!, <MGT>
EV	T911	P TRANS	NPT-1559D	1	2301917	!, <MDT>
EV	T911	P TRANS	NPT-1559G	1	2301914	!, <MGR>
EV	W901	AC CORD	AS-CEE-3	1	253348VOL	!
EV	W901	AC CORD	AS-CEE-3	1	253348VOL	!, <MGT>
EV	W901	AC CORD	AS-UC-2	1	253368LTK	!, <MDT>
EV	W901 or	AC CORD	AS-UC-2	(1)	253368YUN	!, <MDT>
EV	W901	AC CORD	AS-CCC	1	253355VOL	!, <MGR>
EV	W901 or	AC CORD	AS-CCC	(1)	253377LTK	!, <MGR>
EV	A9000	SCREW	3TTB+8B(3CM)SR	2	801637	
EV	A940	P RIVET	JB-407A-C	8	880052	<MPP>
EV	A940	P RIVET	JB-407A-C	8	880052	<MGT>
EV	A940	P RIVET	JB-407A-C	8	880052	<MGR>
EV	A516	TAPE	TAPE(CLOTH-16U)	(1)	29110083	
EV	A517	TAPE	TAPE(CLOTH-8U)	(1)	29110082	
EV	A518	IB CUSHION	W15 x 3t TAPE	1	28141585	
EV	A519	CUSHION	---	2	28141606	
EV	U01	MICROPROCESSOR PC board ass'y	NACPU-9251-1A	1	1B190551-1A	<MPP>
EV	U01	MICROPROCESSOR PC board ass'y	NACPU-9251-1D	1	1B190551-1D	<MGT>
EV	U01	MICROPROCESSOR PC board ass'y	NACPU-9251-1E	1	1B190551-1E	<MDT>
EV	U01	MICROPROCESSOR PC board ass'y	NACPU-9251-1C	1	1B190551-1C	<MGR>
EV	U02	LED PC board ass'y	NADIS-9252-1A	1	INCLUDED IN REF.NO. U01	<MPP>
EV	U02	LED PC board ass'y	NADIS-9252-1D	1	INCLUDED IN REF.NO. U01	<MGT>
EV	U02	LED PC board ass'y	NADIS-9252-1E	1	INCLUDED IN REF.NO. U01	<MDT>
EV	U02	LED PC board ass'y	NADIS-9252-1C	1	INCLUDED IN REF.NO. U01	<MGR>
EV	U03	SELECTOR PC board ass'y	NASW-9253-1A	1	INCLUDED IN REF.NO. U01	<MPP>
EV	U03	SELECTOR PC board ass'y	NASW-9253-1D	1	INCLUDED IN REF.NO. U01	<MGT>
EV	U03	SELECTOR PC board ass'y	NASW-9253-1E	1	INCLUDED IN REF.NO. U01	<MDT>

EV	U03	SELECTOR PC board ass'y	NASW-9253-1C	1	INCLUDED IN REF.NO. U01	<MGR>
EV	U05	VOLUME PC board ass'y	NASW-9258-1A	1	1B190558-1A	<MPP>
EV	U05	VOLUME PC board ass'y	NASW-9258-1D	1	1B190558-1D	<MGT>
EV	U05	VOLUME PC board ass'y	NASW-9258-1E	1	1B190558-1E	<MDT>
EV	U05	VOLUME PC board ass'y	NASW-9258-1C	1	1B190558-1C	<MGR>
EV	U06	HEADPHONE JACK PC board ass'y	NATRM-9260-1A	1	1B190560-1A	<MPP>
EV	U06	HEADPHONE JACK PC board ass'y	NATRM-9260-1D	1	1B190560-1D	<MGT>
EV	U06	HEADPHONE JACK PC board ass'y	NATRM-9260-1E	1	1B190560-1E	<MDT>
EV	U06	HEADPHONE JACK PC board ass'y	NATRM-9260-1C	1	1B190560-1C	<MGR>
EV	U07	HOLDER PC board	NAETC-9261-1A/1D/1E/1C	1	---	NSP
EV	U08	PRE-AMPLIFIER PC board ass'y	NAAF-9280-1A	1	1B190580-1A	<MPP>
EV	U08	PRE-AMPLIFIER PC board ass'y	NAAF-9280-1D	1	1B190580-1D	<MGT>
EV	U08	PRE-AMPLIFIER PC board ass'y	NAAF-9280-1E	1	1B190580-1E	<MDT>
EV	U08	PRE-AMPLIFIER PC board ass'y	NAAF-9280-1C	1	1B190580-1C	<MGR>
EV	U09	POWER SUPPLY PC board ass'y	NAPS-9287-1A	1	1B190587-1A	<MPP>
EV	U09	POWER SUPPLY PC board ass'y	NAPS-9287-1D	1	1B190587-1D	<MGT>
EV	U09	POWER SUPPLY PC board ass'y	NAPS-9287-1E	1	1B190587-1E	<MDT>
EV	U09	POWER SUPPLY PC board ass'y	NAPS-9287-1C	1	1B190587-1C	<MGR>
EV	U10	OULET PC board ass'y	NATRM-9288-1A	1	1B190588-1A	<MPP>
EV	U10	OULET PC board ass'y	NATRM-9288-1D	1	1B190588-1D	<MGT>
EV	U10	OULET PC board ass'y	NATRM-9288-1E	1	1B190588-1E	<MDT>
EV	U11	OULET PC board ass'y	NATRM-9289-1C	1	1B190589-1C	<MGR>
EV	U12	POWER SWITCH PC board ass'y	NASW-9290-1A	1	1B190590-1A	<MPP>
EV	U12	POWER SWITCH PC board ass'y	NASW-9290-1D	1	1B190590-1D	<MGT>
EV	U12	POWER SWITCH PC board ass'y	NASW-9290-1E	1	1B190590-1E	<MDT>
EV	U12	POWER SWITCH PC board ass'y	NASW-9290-1C	1	1B190590-1C	<MGR>
EV	U13	TONE CONTROL PC board ass'y	NAAF-9259-1A	1	1B190559-1A	<MPP>
EV	U13	TONE CONTROL PC board ass'y	NAAF-9259-1D	1	1B190559-1D	<MGT>
EV	U13	TONE CONTROL PC board ass'y	NAAF-9259-1E	1	1B190559-1E	<MDT>
EV	U13	TONE CONTROL PC board ass'y	NAAF-9259-1C	1	1B190559-1C	<MGR>
EV	U14	POWER AMPLIFIER PC board ass'y	NACLD-9283-1A	1	1B190583-1A	<MPP>
EV	U14	POWER AMPLIFIER PC board ass'y	NACLD-9283-1D	1	1B190583-1D	<MGT>
EV	U14	POWER AMPLIFIER PC board ass'y	NACLD-9283-1E	1	1B190583-1E	<MDT>

EV U14 POWER AMPLIFIER PC board ass'y NACLD-9283-1C 1 1B190583-1C <MGR>

A-9355

PC BOARD PARTS LIST

PCB1	U01	MICROPROCESSOR PC BOARD (NACPU-9251-1A / 1C / 1D / 1E)
PCB1	U02	LED PC BOARD (NADIS-9252-1A / 1C / 1D / 1E)
PCB1	U03	SELECTOR PC BOARD (NASW-9253-1A / 1C / 1D / 1E)
PCB1	U05	VOLUME PC BOARD (NASW-9258-1A / 1C / 1D / 1E)
PCB1	U06	HEADPHONE JACK PC BOARD (NATRM-9260-1A / 1C / 1D / 1E)
PCB1	U07	HOLDER PC BOARD (NAETC-9261-1A / 1C / 1D / 1E)

CIRCUIT NO.	PART NAME	DESCRIPTION	Q'TY	PART NO. (SN)	REMARKS
PCB1	U801	REMO SENS	1	241361	
PCB1	Q801	IC(MICROPROCESSOR)	1	222W0074R3	
PCB1	Q802	IC	1	22242207R2	
PCB1	Q803	IC	1	22240239	
PCB1	Q811	TR	1	2214470R2	
PCB1	Q811 or	TR	(1)	2216190R2	
PCB1	Q812	TR	1	2214530R2	
PCB1	Q813	TR	1	2214490R2	
PCB1	Q813 or	TR	(1)	2216210R2	
PCB1	Q814	TR	1	2214530R2	
PCB1	Q814 or	TR	(1)	2216220R2	
PCB1	Q815	TR	1	2216260R2	
PCB1	Q815 or	TR	(1)	2216340R2	
PCB1	Q816	TR	1	2214530R2	
PCB1	Q816 or	TR	(1)	2216220R2	
PCB1	Q817	TR	1	2214530R2	
PCB1	Q817 or	TR	(1)	2216220R2	
PCB1	Q821	TR	1	2214470R2	
PCB1	Q821 or	TR	(1)	2216190R2	
PCB1	Q822	TR	1	2214470R2	

PCB1:	Q822 or	TR	KRC102S	(1)	2216190R2
PCB1:	Q823	TR	RN1402	1	2214470R2
PCB1:	Q823 or	TR	KRC102S	(1)	2216190R2
PCB1:	Q831	TR	RN1402	1	2214470R2
PCB1:	Q831 or	TR	KRC102S	(1)	2216190R2
PCB1:	Q832	TR	RN1402	1	2214470R2
PCB1:	Q832 or	TR	KRC102S	(1)	2216190R2
PCB1:	Q833	TR	RN1402	1	2214470R2
PCB1:	Q833 or	TR	KRC102S	(1)	2216190R2
PCB1:	Q834	TR	RN1402	1	2214470R2
PCB1:	Q834 or	TR	KRC102S	(1)	2216190R2
PCB1:	Q835	TR	RN1402	1	2214470R2
PCB1:	Q835 or	TR	KRC102S	(1)	2216190R2
PCB1:	Q836	TR	RN1402	1	2214470R2
PCB1:	Q836 or	TR	KRC102S	(1)	2216190R2
PCB1:	Q837	TR	RN1402	1	2214470R2
PCB1:	Q837 or	TR	KRC102S	(1)	2216190R2
PCB1:	Q838	TR	RN1402	1	2214470R2
PCB1:	D801	C-DIODE	1SS352	1	223234R2
PCB1:	D801 or	C-DIODE	1SS355	(1)	223269R2
PCB1:	D802	C-DIODE	1SS352	1	223234R2
PCB1:	D802 or	C-DIODE	1SS355	(1)	223269R2
PCB1:	D804	C-DIODE	1SS352	1	223234R2
PCB1:	D804 or	C-DIODE	1SS355	(1)	223269R2
PCB1:	D805	LED	SELU2610C-S-TP1	1	225435T
PCB1:	D810	LED	SEL2910A-TP6	1	225390T
PCB1:	D811	LED	SEL2910A-TP6	1	225390T
PCB1:	D812	LED	SELU2610C-S-TP1	1	225435T
PCB1:	D816	C-DIODE	1SS352	1	223234R2
PCB1:	D816 or	C-DIODE	1SS355	(1)	223269R2
PCB1:	D817	C-DIODE	1SS352	1	223234R2
PCB1:	D817 or	C-DIODE	1SS355	(1)	223269R2
PCB1:	D818	ZENER D	UDZS5.6B	1	224550560R2

PCB1	D821	C-DIODE	ISR154-400	1	22380284R2
PCB1	D831	LED	SEL2910A-TP6	1	225390T
PCB1	D832	LED	SEL2910A-TP6	1	225390T
PCB1	D833	LED	SEL2910A-TP6	1	225390T
PCB1	D834	LED	SEL2910A-TP6	1	225390T
PCB1	D835	LED	SEL2910A-TP6	1	225390T
PCB1	D836	LED	SEL2910A-TP6	1	225390T
PCB1	D837	LED	SEL2910A-TP6	1	225390T
PCB1	D838	LED	SEL2910A-TP6	1	225390T
PCB1	L801	CHOKE COIL	NCH-1479	1	231237K470R2
PCB1	L881	CHOKE COIL	NCH-1471	1	231237M022R2
PCB1	L882	CHOKE COIL	NCH-1471	1	231237M022R2
PCB1	L883	CHOKE COIL	NCH-1471	1	231237M022R2
PCB1	C781	C-CERA C	CK725F1H-223Z1	1	332152230R1
PCB1	C782	C-CERA C	CK725F1H-223Z1	1	332152230R1
PCB1	C783	C-CERA C	CK725F1H-223Z1	1	332152230R1
PCB1	C784	C-CERA C	CK725F1H-223Z1	1	332152230R1
PCB1	C801	VR C	CE04W16V-100M(VR)	1	394641017T
PCB1	C802	C-CERA C	CK725F1H-104Z1	1	332151040R1
PCB1	C803	VR C	CE04W50V-10M(VR)	1	394681007T
PCB1	C804	VR C	CE04W16V-100M(VR)	1	394641017T
PCB1	C805	EDL C	FMC0H104Z	1	3000120T
PCB1	C806	VR C	CE04W6.3V-330M(VR)	1	394623317T
PCB1	C808	C-CERA C	CK725F1H-104Z1	1	332151040R1
PCB1	C809	C-CERA C	CK725F1H-104Z1	1	332151040R1
PCB1	C810	C-CERA C	CK725F1H-104Z1	1	332151040R1
PCB1	C811	C-CERA C	CK725F1H-104Z1	1	332151040R1
PCB1	C812	VR C	CE04W50V-1M(VR)	1	394680107T
PCB1	C813	C-CERA C	CK725F1H-104Z1	1	332151040R1
PCB1	C814	VR C	CE04W50V-1M(VR)	1	394680107T
PCB1	C815	VR C	CE04W16V-100M(VR)	1	394641017T
PCB1	C816	C-CERA C	CK725F1H-104Z1	1	332151040R1
PCB1	C817	VR C	CE04W16V-100M(VR)	1	394641017T

PCB1	C818	C-CERA C	CK725F1H-104Z1	1	332151040R1
PCB1	C819	C-CERA C	CK725F1H-104Z1	1	332151040R1
PCB1	C820	C-CERA C	CK725F1H-104Z1	1	332151040R1
PCB1	C881	TF C	ECQ-B50V-102J	1	374721024T
PCB1	C882	TF C	ECQ-B50V-102J	1	374721024T
PCB1	C883	TF C	ECQ-V50V-104J	1	374721044T
PCB1	C884	TF C	ECQ-V50V-104J	1	374721044T
PCB1	R200	VARI R	N16RGL20KB25M	1	5142522
PCB1	R782	C-CARBON R	RN72K1J-474JE	1	435034744R1
PCB1	R783	C-CARBON R	RN72K1J-102JE	1	435031024R1
PCB1	R801	C-CARBON R	RN72K1J-102JE	1	435031024R1
PCB1	R802	C-CARBON R	RN72K1J-272JE	1	435032724R1
PCB1	R803	C-CARBON R	RN72K1J-272JE	1	435032724R1
PCB1	R804	C-CARBON R	RN72K1J-332JE	1	435033324R1
PCB1	R812	C-CARBON R	RN72K1J-103JE	1	435031034R1
PCB1	R816	C-CARBON R	RN72K1J-151JE	1	435031514R1
PCB1	R817	C-CARBON R	RN72K1J-151JE	1	435031514R1
PCB1	R818	C-CARBON R	RN72K1J-332JE	1	435033324R1
PCB1	R819	C-CARBON R	RN72K1J-103JE	1	435031034R1
PCB1	R820	C-CARBON R	RN72K1J-103JE	1	435031034R1
PCB1	R822	C-CARBON R	RN72K1J-470JE	1	435034704R1
PCB1	R823	C-CARBON R	RN72K1J-470JE	1	435034704R1
PCB1	R824	C-CARBON R	RN72K1J-470JE	1	435034704R1
PCB1	R825	C-CARBON R	RN72K1J-470JE	1	435034704R1
PCB1	R827	C-CARBON R	RN72K1J-103JE	1	435031034R1
PCB1	R828	C-CARBON R	RN72K1J-101JE	1	435031014R1
PCB1	R829	C-CARBON R	RN72K1J-101JE	1	435031014R1
PCB1	R830	C-CARBON R	RN72K1J-102JE	1	435031024R1
PCB1	R831	C-CARBON R	RN72K1J-102JE	1	435031024R1
PCB1	R832	C-CARBON R	RN72K1J-332JE	1	435033324R1
PCB1	R833	C-CARBON R	RN72K1J-333JE	1	435033334R1
PCB1	R834	C-CARBON R	RN72K1J-272JE	1	435032724R1
PCB1	R835	C-CARBON R	RN72K1J-391JE	1	435033914R1

PCB1	R838	C-CARBON R	RN72K1J-103JE	1	435031034R1
PCB1	R839	C-CARBON R	RN72K1J-473JE	1	435034734R1
PCB1	R841	C-CARBON R	RN72K1J-183JE	1	435031834R1
PCB1	R842	C-CARBON R	RN72K1J-682JE	1	435036824R1
PCB1	R843	C-CARBON R	RN72K1J-332JE	1	435033324R1
PCB1	R844	C-CARBON R	RN72K1J-182JE	1	435031824R1
PCB1	R845	C-CARBON R	RN72K1J-122JE	1	435031224R1
PCB1	R846	C-CARBON R	RN72K1J-102JE	1	435031024R1
PCB1	R847	C-CARBON R	RN72K1J-681JE	1	435036814R1
PCB1	R848	C-CARBON R	RN72K1J-561JE	1	435035614R1
PCB1	R849	C-CARBON R	RN72K1J-471JE	1	435034714R1
PCB1	R850	C-CARBON R	RN72K1J-331JE	1	435033314R1
PCB1	R851	C-CARBON R	RN72K1J-271JE	1	435032714R1
PCB1	R852	C-CARBON R	RN72K1J-220JE	1	435032204R1
PCB1	R853	C-CARBON R	RN72K1J-473JE	1	435034734R1
PCB1	R855	C-CARBON R	RN72K1J-000JE	1	435030004R1
PCB1	R856	C-CARBON R	RN72K1J-224JE	1	435032244R1
PCB1	R857	C-CARBON R	RN72K1J-101JE	1	435031014R1
PCB1	R858	C-CARBON R	RN72K1J-101JE	1	435031014R1
PCB1	R859	C-CARBON R	RN72K1J-102JE	1	435031024R1
PCB1	R860	C-CARBON R	RN72K1J-102JE	1	435031024R1
PCB1	R861	C-CARBON R	RN72K1J-102JE	1	435031024R1
PCB1	R862	C-CARBON R	RN72K1J-102JE	1	435031024R1
PCB1	R863	C-CARBON R	RN72K1J-102JE	1	435031024R1
PCB1	R864	C-CARBON R	RN72K1J-102JE	1	435031024R1
PCB1	R865	C-CARBON R	RN72K1J-102JE	1	435031024R1
PCB1	R866	C-CARBON R	RN72K1J-102JE	1	435031024R1
PCB1	R867	C-CARBON R	RN72K1J-103JE	1	435031034R1
PCB1	R868	C-CARBON R	RN72K1J-221JE	1	435032214R1
PCB1	R871	C-CARBON R	RN72K1J-151JE	1	435031514R1
PCB1	R872	C-CARBON R	RN72K1J-151JE	1	435031514R1
PCB1	R873	C-CARBON R	RN72K1J-151JE	1	435031514R1
PCB1	R874	C-CARBON R	RN72K1J-151JE	1	435031514R1

PCB1	R875	C-CARBON R	RN72K1J-151JE	1	435031514R1	
PCB1	R876	C-CARBON R	RN72K1J-151JE	1	435031514R1	
PCB1	R877	C-CARBON R	RN72K1J-151JE	1	435031514R1	
PCB1	R878	C-CARBON R	RN72K1J-151JE	1	435031514R1	
PCB1	R881	METAL O R	RS1/2WBJ-22	1	443522204T	
PCB1	R884	C-CARBON R	RN72K1J-103JE	1	435031034R1	
PCB1	R892	C-CARBON R	RN72K1J-103JE	1	435031034R1	
PCB1	R894	C-CARBON R	RN72K1J-000JE	1	435030004R1	
PCB1	R895	C-CARBON R	RN72K1J-221JE	1	435032214R1	
PCB1	R896	C-CARBON R	RN72K1J-221JE	1	435032214R1	
PCB1	R897	C-CARBON R	RN72K1J-103JE	1	435031034R1	
PCB1	R898	C-CARBON R	RN72K1J-103JE	1	435031034R1	
PCB1	S802	ROT SW	NRSF-112-20SRM	1	25030424	
PCB1	S803	PUSH SW	NPS-111-S681	1	25035718T	
PCB1	S804	PUSH SW	NPS-111-S681	1	25035718T	
PCB1	S805	PUSH SW	NPS-111-S681	1	25035718T	
PCB1	S806	PUSH SW	NPS-111-S681	1	25035718T	
PCB1	P801	SOCKET	52492-0820	1	25053238	
PCB1	P881	ST JACK	MSJ-064-05A GR	1	25045782	
PCB1	P881 or	JACK	YKB26-5153	(1)	25045385	
PCB1	P882	CRIMP AS	CRIMP AS	1	2061943081UL	
PCB1	JL206B	WIRE TRAP	NPLG-5P588	1	25055626	
PCB1	JL209	JUMPER LEAD	JL11 400 B	1	---	NSP
PCB1	JL209A	WIRE HOL	NSCT-11P882	1	25051095	
PCB1	JL210	JUMPER LEAD	JL5 250 B	1	---	NSP
PCB1	JL210A	WIRE HOL	NSCT-5P876	1	25051089	
PCB1	JL211	JUMPER LEAD	JL10 150B(6-6)	1	---	NSP
PCB1	JL211A	WIRE HOL	NSCT-10P881	1	25051094	
PCB1	JL212	JUMPER LEAD	JL8 250 B	1	---	NSP
PCB1	JL212A	WIRE HOL	NSCT-8P879	1	25051092	
PCB1	JL811	JUMPER LEAD	JL3 150 B(6-6)	1	---	NSP
PCB1	JL811A	WIRE HOL	NSCT-3P874	1	25051087	
PCB1	JL811B	WIRE HOL	NSCT-3P874	1	25051087	

PCB1	JL812	JUMPER LEAD	JL10 150B(6-6)	1	---	NSP
PCB1	JL812A	WIRE HOL	NSCT-10P881	1	25051094	
PCB1	JL812B	WIRE HOL	NSCT-10P881	1	25051094	
PCB1	JL813	JUMPER LEAD	JL3 100 B(6-6)	1	---	NSP
PCB1	JL813A	WIRE HOL	NSCT-3P874	1	25051087	
PCB1	JL813B	WIRE HOL	NSCT-3P874	1	25051087	
PCB1	JL901	JMP LEAD	JL4 450 B(6-6)	1	---	NSP
PCB1	JL901A	WIRE HOL	NSCT-4P875	1	25051088	
PCB1	JL913	JUMPER LEAD	JL5 150 B	1	---	NSP
PCB1	JL913A	WIRE HOL	NSCT-5P876	1	25051089	
PCB1	JL913B	WIRE TRAP	NPLG-5P588	1	25055626	

PCB2	U08	PRE-AMPLIFER PC BOARD (NAAF-9280-1A / 1C / 1D / 1E)
PCB2	U09	POWER SUPPLY PC BOARD (NAPS-9287-1A / 1C / 1D / 1E)
PCB2	U10	OUTLET PC BOARD (NATRM-9288-1A/ 1B/ 1D) <Note> : MPP, MGT, MDT Only
PCB2	U11	OUTLET PC BOARD (NATRM-9289-1C) <Note> : MGR Only
PCB2	U12	POWER SWITCH PC BOARD (NASW-9290-1A / 1C / 1D / 1E)
PCB2	U13	TONE CONTROL PC BOARD (NAAF-9259-1A / 1C / 1D / 1E)

CIRCUIT NO.	PART NAME	DESCRIPTION	Q'TY	PART NO. (SN)	REMARKS
PCB2	Q101	TR	1	2211406T	
PCB2	Q102	TR	1	2211406T	
PCB2	Q103	TR	1	2211733T	
PCB2	Q104	TR	1	2211733T	
PCB2	Q105	TR	1	2211793T	
PCB2	Q106	TR	1	2211793T	
PCB2	Q107	TR	1	2211793T	
PCB2	Q108	TR	1	2211793T	
PCB2	Q109	TR	1	2211733T	
PCB2	Q110	TR	1	2211733T	
PCB2	Q111	TR	1	2211654T	
PCB2	Q112	TR	1	2211654T	
PCB2	Q113	TR	1	2211644T	

PCB2	Q114	TR	2SA965-Y(TPE6_F)	1	2211644T
PCB2	Q115	TR	2SC2240-BL(TPE2_F)	1	2211406T
PCB2	Q116	TR	2SC2240-BL(TPE2_F)	1	2211406T
PCB2	Q201	IC	R2S15211FP	1	22242297R3
PCB2	Q301	IC	NJM4580M-D	1	22241448R2
PCB2	Q302	IC	NJM4580M-D	1	22241448R2
PCB2	Q348	IC	NJM4580M-D	1	22241448R2
PCB2	Q349	TR	2SD655-F	1	2211706T
PCB2	Q350	TR	2SD655-F	1	2211706T
PCB2	Q351	TR	2SD655-F	1	2211706T
PCB2	Q352	TR	2SD655-F	1	2211706T
PCB2	Q353	TR	RN1402	1	2214470R2
PCB2	Q353 or	TR	KRC102S	(1)	2216190R2
PCB2	Q432	TR	2SC2712-GR	1	2213145R2
PCB2	Q433	TR	2SA1162-GR	1	2214375R2
PCB2	Q901	TR	DTC123JKA	1	2216690R2
PCB2	Q907	IC	S-80127CNMC-JKM-T2	1	22241642R2
PCB2	Q951	TR	2SA1358-Y(Q)	1	2212644
PCB2	Q952	TR	2SC3421-Y(Q)	1	2212654
PCB2	Q953	TR	2SC2712-GR	1	2213145R2
PCB2	Q954	TR	2SA1162-GR	1	2214375R2
PCB2	Q957	TR	2SA1837(F)	1	2202790
PCB2	Q957A	HEAT SINK	RAD-153	1	27160484
PCB2	Q957B	SCREW	3TTB+8B(3CM)SR	1	801637
PCB2	Q958	TR	2SC4793(F)	1	2202800
PCB2	Q958A	HEAT SINK	RAD-153	1	27160484
PCB2	Q958B	SCREW	3TTB+8B(3CM)SR	1	801637
PCB2	Q959	TR	2SC2712-GR	1	2213145R2
PCB2	Q960	TR	2SA1162-GR	1	2214375R2
PCB2	Q961	IC	78M12HF(NJM78M12FA)	1	222780125JRC
PCB2	Q961A	HEAT SINK	RAD-121	1	27160444
PCB2	Q961B	SCREW	3TTB+8B(3CM)SR	1	801637
PCB2	Q962	IC	78M05(NJM78M05FA)	1	222780055JRC

PCB2	D101	ZENER D	MTZJ5.6B	1	224470562T
PCB2	D102	ZENER D	MTZJ5.6B	1	224470562T
PCB2	D103	DIODE	ISS133	1	223163T
PCB2	D103 or	DIODE	WG713A	(1)	223222T
PCB2	D104	DIODE	ISS133	1	223163T
PCB2	D104 or	DIODE	WG713A	(1)	223222T
PCB2	D105	DIODE	ISS133	1	223163T
PCB2	D105 or	DIODE	WG713A	(1)	223222T
PCB2	D106	DIODE	ISS133	1	223163T
PCB2	D106 or	DIODE	WG713A	(1)	223222T
PCB2	D107	DIODE	ISS133	1	223163T
PCB2	D107 or	DIODE	WG713A	(1)	223222T
PCB2	D108	DIODE	ISS133	1	223163T
PCB2	D108 or	DIODE	WG713A	(1)	223222T
PCB2	D109	DIODE	ISS133	1	223163T
PCB2	D109 or	DIODE	WG713A	(1)	223222T
PCB2	D110	DIODE	ISS133	1	223163T
PCB2	D110 or	DIODE	WG713A	(1)	223222T
PCB2	D111	DIODE	ISS133	1	223163T
PCB2	D111 or	DIODE	WG713A	(1)	223222T
PCB2	D112	DIODE	ISS133	1	223163T
PCB2	D112 or	DIODE	WG713A	(1)	223222T
PCB2	D341	C-DIODE	ISS352	1	223234R2
PCB2	D341 or	C-DIODE	ISS355	(1)	223269R2
PCB2	D425	C-DIODE	ISS355	1	223269R2
PCB2	D425 or	C-DIODE	ISS352	(1)	223234R2
PCB2	D901	C-DIODE	ISS352	1	223234R2
PCB2	D901 or	C-DIODE	ISS355	(1)	223269R2
PCB2	D904	DIODE	RL1N4003	1	22380260T
PCB2	D904 or	DIODE	GP104003E	(1)	22380035T
PCB2	D906	DIODE	RL1N4003	1	22380260T
PCB2	D906 or	DIODE	GP104003E	(1)	22380035T
PCB2	D908	C-DIODE	S1NB60-4062	1	22380318R2

PCB2	D909	ZENER D	UDZS5.1B	1	224550510R2	
PCB2	D910	C-DIODE	1SS352	1	223234R2	
PCB2	D910 or	C-DIODE	1SS355	(1)	223269R2	
PCB2	D911	C-DIODE	1SS352	1	223234R2	
PCB2	D911 or	C-DIODE	1SS355	(1)	223269R2	
PCB2	D951	DIODE	RL1N4003	1	22380260T	
PCB2	D951 or	DIODE	GP104003E	(1)	22380035T	
PCB2	D952	DIODE	RL1N4003	1	22380260T	
PCB2	D952 or	DIODE	GP104003E	(1)	22380035T	
PCB2	D953	DIODE	RL1N4003	1	22380260T	
PCB2	D953 or	DIODE	GP104003E	(1)	22380035T	
PCB2	D954	DIODE	RL1N4003	1	22380260T	
PCB2	D954 or	DIODE	GP104003E	(1)	22380035T	
PCB2	D955	ZENER D	UDZS15B	1	224551500R2	
PCB2	D956	ZENER D	UDZS15B	1	224551500R2	
PCB2	D957	ZENER D	UDZS7.5B	1	224550750R2	
PCB2	D958	ZENER D	UDZS7.5B	1	224550750R2	
PCB2	D959	C-DIODE	S1NB60-4062	1	22380318R2	
PCB2	T901	P TRANS	NPT-1520GQ	1	2301813	!, <MPP>
PCB2	T901	P TRANS	NPT-1520GQ	1	2301813	!, <MGR>
PCB2	T901	P TRANS	NPT-1520GQ	1	2301813	!, <MGT>
PCB2	T901	P TRANS	NPT-1520JQ	1	2301812	!, <MDT>
PCB2	L901	CHOKE COIL	NCH-3646	1	231349S	!
PCB2	L902	CHOKE COIL	NCH-3645	1	231348S	!
PCB2	L7901	CHOKE COIL	BLM21B222SPT	1	230921R2	
PCB2	C101	TF C	ECQ-B50V-101J	1	374721014T	
PCB2	C102	TF C	ECQ-B50V-101J	1	374721014T	
PCB2	C103	UTSP C	CE04W50V-4.7M(UTSP)	1	397580477T	
PCB2	C104	UTSP C	CE04W50V-4.7M(UTSP)	1	397580477T	
PCB2	C107	UTSP C	CE04W50V-22M(UTSP)	1	397582207T	
PCB2	C108	UTSP C	CE04W50V-22M(UTSP)	1	397582207T	
PCB2	C109	VX C	CE04W50V-470M(VX_BLK)	1	397384717S	
PCB2	C110	VX C	CE04W50V-470M(VX_BLK)	1	397384717S	

PCB2	C111	TF C	ECQ-B50V-562J	1	374725624T
PCB2	C112	TF C	ECQ-B50V-562J	1	374725624T
PCB2	C113	TF C	ECQ-B50V-222J	1	374722224T
PCB2	C114	TF C	ECQ-B50V-222J	1	374722224T
PCB2	C115	UTSP C	CE04W50V-22M(UTSP)	1	397582207T
PCB2	C116	UTSP C	CE04W50V-22M(UTSP)	1	397582207T
PCB2	C117	UTSP C	CE04W50V-22M(UTSP)	1	397582207T
PCB2	C118	UTSP C	CE04W50V-22M(UTSP)	1	397582207T
PCB2	C121	TF C	ECQ-B50V-222J	1	374722224T
PCB2	C122	TF C	ECQ-B50V-222J	1	374722224T
PCB2	C123	UTSP C	CE04W50V-22M(UTSP)	1	397582207T
PCB2	C124	UTSP C	CE04W50V-22M(UTSP)	1	397582207T
PCB2	C125	VX C	CE04W35V-470M(VX_BLK)	1	397364717S
PCB2	C127	VX C	CE04W35V-470M(VX_BLK)	1	397364717S
PCB2	C131	C-CERA C	CK725F1H-104Z1	1	332151040R1
PCB2	C132	C-CERA C	CK725F1H-104Z1	1	332151040R1
PCB2	C133	C-CERA C	CK725F1H-104Z1	1	332151040R1
PCB2	C134	C-CERA C	CK725F1H-104Z1	1	332151040R1
PCB2	C201	TF C	ECQ-B50V-101J	1	374721014T
PCB2	C202	TF C	ECQ-B50V-101J	1	374721014T
PCB2	C203	TF C	ECQ-B50V-101J	1	374721014T
PCB2	C204	TF C	ECQ-B50V-101J	1	374721014T
PCB2	C205	TF C	ECQ-B50V-101J	1	374721014T
PCB2	C206	TF C	ECQ-B50V-101J	1	374721014T
PCB2	C207	TF C	ECQ-B50V-101J	1	374721014T
PCB2	C208	TF C	ECQ-B50V-101J	1	374721014T
PCB2	C209	TF C	ECQ-B50V-101J	1	374721014T
PCB2	C210	TF C	ECQ-B50V-101J	1	374721014T
PCB2	C211	TF C	ECQ-B50V-101J	1	374721014T
PCB2	C212	TF C	ECQ-B50V-101J	1	374721014T
PCB2	C213	TF C	ECQ-B50V-101J	1	374721014T
PCB2	C214	TF C	ECQ-B50V-101J	1	374721014T
PCB2	C240	C-CERA C	CK725B1H-222K1	1	332102225R1

PCB2	C301	UTSP C	CE04W50V 47M(UTSP)	1	397584707T
PCB2	C302	UTSP C	CE04W50V 47M(UTSP)	1	397584707T
PCB2	C303	UTSP C	CE04W50V 47M(UTSP)	1	397584707T
PCB2	C304	UTSP C	CE04W50V 47M(UTSP)	1	397584707T
PCB2	C305	TF C	ECQ-V50V-333J	1	374723334T
PCB2	C306	TF C	ECQ-V50V-333J	1	374723334T
PCB2	C307	TF C	ECQ-V50V-333J	1	374723334T
PCB2	C308	TF C	ECQ-V50V-333J	1	374723334T
PCB2	C309	TF C	ECQ-B50V-222J	1	374722224T
PCB2	C310	TF C	ECQ-B50V-222J	1	374722224T
PCB2	C311	UTSP C	CE04W50V 47M(UTSP)	1	397584707T
PCB2	C312	UTSP C	CE04W50V 47M(UTSP)	1	397584707T
PCB2	C331	UTSP C	CE04W10V-470M(UTSP)	1	397534717T
PCB2	C332	UTSP C	CE04W10V-470M(UTSP)	1	397534717T
PCB2	C333	TF C	ECQ-B50V-223J	1	374722234T
PCB2	C334	TF C	ECQ-B50V-223J	1	374722234T
PCB2	C335	C-CERA C	CC725CH1H-020C1	1	342100201R1
PCB2	C336	C-CERA C	CC725CH1H-020C1	1	342100201R1
PCB2	C349	UTSP C	CE04W50V 47M(UTSP)	1	397584707T
PCB2	C350	UTSP C	CE04W50V 47M(UTSP)	1	397584707T
PCB2	C351	UTSP C	CE04W10V-220M(UTSP)	1	397532217T
PCB2	C352	UTSP C	CE04W10V-220M(UTSP)	1	397532217T
PCB2	C353	TF C	ECQ-B50V-101J	1	374721014T
PCB2	C354	TF C	ECQ-B50V-101J	1	374721014T
PCB2	C355	UTSP C	CE04W10V-470M(UTSP)	1	397534717T
PCB2	C356	UTSP C	CE04W10V-470M(UTSP)	1	397534717T
PCB2	C359	TF C	ECQ-V50V-104J	1	374721044T
PCB2	C363	VX C	CE04W50V-3.3M(VX_BLK)	1	397380337T
PCB2	C365	TF C	ECQ-V50V-104J	1	374721044T
PCB2	C366	TF C	ECQ-V50V-104J	1	374721044T
PCB2	C367	TF C	ECQ-V50V-104J	1	374721044T
PCB2	C368	TF C	ECQ-V50V-104J	1	374721044T
PCB2	C412	TF C	ECQ-V50V-474J	1	374724744T

PCB2	C413	TF C	ECQ-V50V-474J	1	374724744T
PCB2	C414	TF C	ECQ-V50V-473J	1	374724734T
PCB2	C415	TF C	ECQ-V50V-473J	1	374724734T
PCB2	C416	TF C	ECQ-B50V-223J	1	374722234T
PCB2	C417	TF C	ECQ-B50V-223J	1	374722234T
PCB2	C418	UTSP C	CE04W50V 47M(UTSP)	1	397584707T
PCB2	C419	UTSP C	CE04W50V 47M(UTSP)	1	397584707T
PCB2	C420	C-CERA C	CC725CH1H-101J1	1	342101014R1
PCB2	C421	C-CERA C	CC725CH1H-101J1	1	342101014R1
PCB2	C437	UTSP C	CE04W50V-22M(UTSP)	1	397582207T
PCB2	C438	UTSP C	CE04W50V-22M(UTSP)	1	397582207T
PCB2	C442	VX C	CE04W50V 100M(VX_BLK)	1	397381017T
PCB2	C901	IS C	MKP R46 224M	1	3800040S
PCB2	C902	IS C	MKP R46 224M	1	3800040S
PCB2	C903	IS C	MKP R46 224M	1	3800040S
PCB2	C904	TF C	ECQ-V50V-104J	1	374721044T
PCB2	C906	IS C	DE1310E472M-KH	1	3300054
PCB2	C911	IS C	DE1610F103M-KH	1	3300055
PCB2	C913	VX C	CE04W25V-3300M(VX_BLK)	1	397353327S
PCB2	C916	TF C	ECQ-B50V-223J	1	374722234T
PCB2	C917	TF C	ECQ-B50V-102J	1	374721024T
PCB2	C918	TF C	ECQ-V50V-104J	1	374721044T
PCB2	C919	TF C	ECQ-V50V-104J	1	374721044T
PCB2	C920	VX C	CE04W50V-10M(VX_BLK)	1	397381007T
PCB2	C929	VX C	CE04W16V-1000M(VX_BLK)	1	397341027S
PCB2	C930	VX C	CE04W16V-1000M(VX_BLK)	1	397341027S
PCB2	C951	TF C	ECQ-V50V-334J	1	374723344T
PCB2	C952	TF C	ECQ-V50V-334J	1	374723344T
PCB2	C953	VX C	CE04W50V-2200M(VX_BLK)	1	397382227S
PCB2	C954	VX C	CE04W50V-2200M(VX_BLK)	1	397382227S
PCB2	C955	TF C	ECQ-V50V-334J	1	374723344T
PCB2	C956	TF C	ECQ-V50V-334J	1	374723344T
PCB2	C958	TF C	ECQ-V50V-334J	1	374723344T

PCB2	C959	VX C	CE04W35V-2200M(VX_BLK)	1	397362227S
PCB2	C961	VX C	CE04W35V-470M(VX_BLK)	1	397364717S
PCB2	C962	VX C	CE04W35V-470M(VX_BLK)	1	397364717S
PCB2	C963	UTSP C	CE04W50V-22M(UTSP)	1	397582207T
PCB2	C964	UTSP C	CE04W50V-22M(UTSP)	1	397582207T
PCB2	C965	UTSP C	CE04W50V-2.2M(UTSP)	1	397580227T
PCB2	C966	UTSP C	CE04W50V-2.2M(UTSP)	1	397580227T
PCB2	C967	VX C	CE04W35V-470M(VX_BLK)	1	397364717S
PCB2	C968	VX C	CE04W35V-470M(VX_BLK)	1	397364717S
PCB2	C969	UTSP C	CE04W50V-22M(UTSP)	1	397582207T
PCB2	C970	UTSP C	CE04W50V-22M(UTSP)	1	397582207T
PCB2	C971	UTSP C	CE04W50V-4.7M(UTSP)	1	397580477T
PCB2	C972	UTSP C	CE04W50V-4.7M(UTSP)	1	397580477T
PCB2	C973	VX C	CE04W25V-220M(VX_BLK)	1	397352217T
PCB2	C974	VX C	CE04W50V 100M(VX_BLK)	1	397381017T
PCB2	C975	VX C	CE04W50V-10M(VX_BLK)	1	397381007T
PCB2	R001	C-CARBON R	RN72K1J-000JE	1	435030004R1
PCB2	R002	C-CARBON R	RN72K1J-000JE	1	435030004R1
PCB2	R003	C-CARBON R	RN72K1J-000JE	1	435030004R1
PCB2	R004	C-CARBON R	RN72K1J-000JE	1	435030004R1
PCB2	R101	CARBON R	R16J-1K	1	417341024T
PCB2	R102	CARBON R	R16J-1K	1	417341024T
PCB2	R103	CARBON R	R16J-56K	1	417345634T
PCB2	R104	CARBON R	R16J-56K	1	417345634T
PCB2	R105	CARBON R	R16J-220K	1	417342244T
PCB2	R106	CARBON R	R16J-220K	1	417342244T
PCB2	R107	METAL O R	RS1/2WBJ-4.7K	1	443524724T
PCB2	R108	METAL O R	RS1/2WBJ-4.7K	1	443524724T
PCB2	R109	CARBON R	R16J-3.3K	1	417343324T
PCB2	R110	CARBON R	R16J-3.3K	1	417343324T
PCB2	R111	CARBON R	R16J-3.3K	1	417343324T
PCB2	R112	CARBON R	R16J-3.3K	1	417343324T
PCB2	R113	CARBON R	R16J-220	1	417342214T

PCB2	R114	CARBON R	R16J-220	1	417342214T
PCB2	R115	CARBON R	R16J-220	1	417342214T
PCB2	R116	CARBON R	R16J-220	1	417342214T
PCB2	R117	CARBON R	R16J-22K	1	417342234T
PCB2	R118	CARBON R	R16J-22K	1	417342234T
PCB2	R119	CARBON R	R16J-6.8K	1	417346824T
PCB2	R120	CARBON R	R16J-6.8K	1	417346824T
PCB2	R121	CARBON R	R16J-2.2K	1	417342224T
PCB2	R122	CARBON R	R16J-2.2K	1	417342224T
PCB2	R123	CARBON R	R16J-820	1	417348214TTYS
PCB2	R124	CARBON R	R16J-820	1	417348214TTYS
PCB2	R125	CARBON R	R16J-820	1	417348214TTYS
PCB2	R126	CARBON R	R16J-820	1	417348214TTYS
PCB2	R127	METAL R	RNU1/4WCF-751	1	4500318
PCB2	R128	METAL R	RNU1/4WCF-751	1	4500318
PCB2	R131	CARBON R	R16J-560K	1	417345644T
PCB2	R132	CARBON R	R16J-560K	1	417345644T
PCB2	R133	CARBON R	R16J-39K	1	417343934T
PCB2	R134	CARBON R	R16J-39K	1	417343934T
PCB2	R135	CARBON R	R16J-1.2K	1	417341224T
PCB2	R136	CARBON R	R16J-1.2K	1	417341224T
PCB2	R137	CARBON R	R16J-820	1	417348214TTYS
PCB2	R138	CARBON R	R16J-820	1	417348214TTYS
PCB2	R139	CARBON R	R16J-820	1	417348214TTYS
PCB2	R140	CARBON R	R16J-820	1	417348214TTYS
PCB2	R141	CARBON R	R16J-120	1	417341214T
PCB2	R142	CARBON R	R16J-120	1	417341214T
PCB2	R143	CARBON R	R16J-120	1	417341214T
PCB2	R144	CARBON R	R16J-120	1	417341214T
PCB2	R145	CARBON R	R16J-1K	1	417341024T
PCB2	R146	CARBON R	R16J-1K	1	417341024T
PCB2	R151	METAL O R	RS1/2WBJ-22	1	443522204T
PCB2	R153	METAL O R	RS1/2WBJ-22	1	443522204T

PCB2	R157	CARBON R	R16J-470K	1	417344744T
PCB2	R158	CARBON R	R16J-470K	1	417344744T
PCB2	R201	C-CARBON R	RN72K1J-331JE	1	435033314R1
PCB2	R202	C-CARBON R	RN72K1J-331JE	1	435033314R1
PCB2	R203	C-CARBON R	RN72K1J-331JE	1	435033314R1
PCB2	R204	C-CARBON R	RN72K1J-331JE	1	435033314R1
PCB2	R205	C-CARBON R	RN72K1J-222JE	1	435032224R1
PCB2	R206	C-CARBON R	RN72K1J-222JE	1	435032224R1
PCB2	R207	C-CARBON R	RN72K1J-331JE	1	435033314R1
PCB2	R208	C-CARBON R	RN72K1J-331JE	1	435033314R1
PCB2	R209	C-CARBON R	RN72K1J-222JE	1	435032224R1
PCB2	R210	C-CARBON R	RN72K1J-222JE	1	435032224R1
PCB2	R211	C-CARBON R	RN72K1J-331JE	1	435033314R1
PCB2	R212	C-CARBON R	RN72K1J-331JE	1	435033314R1
PCB2	R213	C-CARBON R	RN72K1J-331JE	1	435033314R1
PCB2	R214	C-CARBON R	RN72K1J-331JE	1	435033314R1
PCB2	R221	C-CARBON R	RN72K1J-224JE	1	435032244R1
PCB2	R222	C-CARBON R	RN72K1J-224JE	1	435032244R1
PCB2	R225	C-CARBON R	RN72K1J-224JE	1	435032244R1
PCB2	R226	C-CARBON R	RN72K1J-224JE	1	435032244R1
PCB2	R237	C-CARBON R	RN72K1J-471JE	1	435034714R1
PCB2	R245	C-CARBON R	RN72K1J-224JE	1	435032244R1
PCB2	R246	C-CARBON R	RN72K1J-224JE	1	435032244R1
PCB2	R274	C-CARBON R	RN72K1J-000JE	1	435030004R1
PCB2	R303	CARBON R	R16J-4.7K	1	417344724T
PCB2	R304	CARBON R	R16J-4.7K	1	417344724T
PCB2	R305	CARBON R	R16J-4.7K	1	417344724T
PCB2	R306	CARBON R	R16J-4.7K	1	417344724T
PCB2	R309	CARBON R	R16J-1.2K	1	417341224T
PCB2	R310	CARBON R	R16J-1.2K	1	417341224T
PCB2	R311	CARBON R	R16J-10K	1	417341034T
PCB2	R312	CARBON R	R16J-10K	1	417341034T
PCB2	R313	CARBON R	R16J-10K	1	417341034T

PCB2	R314	CARBON R	R16J-10K	1	417341034T
PCB2	R315	CARBON R	R16J-10K	1	417341034T
PCB2	R316	CARBON R	R16J-10K	1	417341034T
PCB2	R317	CARBON R	R16J-3.9K	1	417343924T
PCB2	R318	CARBON R	R16J-3.9K	1	417343924T
PCB2	R319	VARI R	N14RGLC50KB25Z	1	5132535
PCB2	R320	VARI R	N14RGLC50KB25Z	1	5132535
PCB2	R323	CARBON R	R16J-1.5K	1	417341524T
PCB2	R324	CARBON R	R16J-1.5K	1	417341524T
PCB2	R325	CARBON R	R16J-470	1	417344714T
PCB2	R326	CARBON R	R16J-470	1	417344714T
PCB2	R327	CARBON R	R16J-220K	1	417342244T
PCB2	R328	CARBON R	R16J-220K	1	417342244T
PCB2	R331	METAL O R	RS1/2WBJ-22	1	443522204T
PCB2	R332	METAL O R	RS1/2WBJ-22	1	443522204T
PCB2	R333	C-CARBON R	RN72K1J-222JE	1	435032224R1
PCB2	R334	C-CARBON R	RN72K1J-222JE	1	435032224R1
PCB2	R355	C-CARBON R	RN72K1J-222JE	1	435032224R1
PCB2	R359	C-CARBON R	RN72K1J-222JE	1	435032224R1
PCB2	R360	C-CARBON R	RN72K1J-222JE	1	435032224R1
PCB2	R361	C-CARBON R	RN72K1J-224JE	1	435032244R1
PCB2	R362	C-CARBON R	RN72K1J-224JE	1	435032244R1
PCB2	R363	C-CARBON R	RN72K1J-224JE	1	435032244R1
PCB2	R364	C-CARBON R	RN72K1J-224JE	1	435032244R1
PCB2	R365	C-CARBON R	RN72K1J-103JE	1	435031034R1
PCB2	R366	C-CARBON R	RN72K1J-103JE	1	435031034R1
PCB2	R367	C-CARBON R	RN72K1J-152JE	1	435031524R1
PCB2	R368	C-CARBON R	RN72K1J-152JE	1	435031524R1
PCB2	R369	C-CARBON R	RN72K1J-470JE	1	435034704R1
PCB2	R370	C-CARBON R	RN72K1J-470JE	1	435034704R1
PCB2	R371	C-CARBON R	RN72K1J-224JE	1	435032244R1
PCB2	R372	C-CARBON R	RN72K1J-224JE	1	435032244R1
PCB2	R373	C-CARBON R	RN72K1J-103JE	1	435031034R1

PCB2	R374	C-CARBON R	RN72K1J-103JE	1	435031034R1
PCB2	R375	C-CARBON R	RN72K1J-103JE	1	435031034R1
PCB2	R376	C-CARBON R	RN72K1J-103JE	1	435031034R1
PCB2	R377	METAL O R	RS1/2WBJ-22	1	443522204T
PCB2	R378	METAL O R	RS1/2WBJ-22	1	443522204T
PCB2	R381	C-CARBON R	RN72K1J-224JE	1	435032244R1
PCB2	R421	C-CARBON R	RN72K1J-222JE	1	435032224R1
PCB2	R422	C-CARBON R	RN72K1J-222JE	1	435032224R1
PCB2	R423	C-CARBON R	RN72K1J-103JE	1	435031034R1
PCB2	R424	C-CARBON R	RN72K1J-103JE	1	435031034R1
PCB2	R447	C-CARBON R	RN72K1J-222JE	1	435032224R1
PCB2	R448	C-CARBON R	RN72K1J-222JE	1	435032224R1
PCB2	R453	C-CARBON R	RN72K1J-393JE	1	435033934R1
PCB2	R454	C-CARBON R	RN72K1J-123JE	1	435031234R1
PCB2	R455	C-CARBON R	RN72K1J-473JE	1	435034734R1
PCB2	R456	C-CARBON R	RN72K1J-223JE	1	435032234R1
PCB2	R906	METAL R	RNU1/2WCJ-2.2	1	453530224T
PCB2	R909	METAL O R	RS1/2WBJ-22	1	443522204T
PCB2	R916	C-CARBON R	RN72K1J-183JE	1	435031834R1
PCB2	R917	C-CARBON R	RN72K1J-333JE	1	435033334R1
PCB2	R918	C-CARBON R	RN72K1J-273JE	1	435032734R1
PCB2	R927	METAL O R	RS1/2WBJ-22	1	443522204T
PCB2	R928	METAL O R	RS1/2WBJ-22	1	443522204T
PCB2	R951	NF CARBON R	R25J-1.5	1	415470154T
PCB2	R952	NF CARBON R	R25J-1.5	1	415470154T
PCB2	R953	METAL R	RNU1/2WCJ-2.2	1	453530224T
PCB2	R954	C-CARBON R	RN72K1J-102JE	1	435031024R1
PCB2	R961	NF CARBON R	R25J-22	1	415472204T
PCB2	R962	NF CARBON R	R25J-22	1	415472204T
PCB2	R963	CARBON R	R16J-4.7K	1	417344724T
PCB2	R964	CARBON R	R16J-4.7K	1	417344724T
PCB2	R965	C-CARBON R	RN72K1J-122JE	1	435031224R1
PCB2	R966	C-CARBON R	RN72K1J-122JE	1	435031224R1

PCB2	R967	NF CARBON R	R25J-22	1	415472204T	
PCB2	R968	NF CARBON R	R25J-22	1	415472204T	
PCB2	R969	CARBON R	R16J-12K	1	417341234T	
PCB2	R970	CARBON R	R16J-12K	1	417341234T	
PCB2	R971	C-CARBON R	RN72K1J-122JE	1	435031224R1	
PCB2	R972	C-CARBON R	RN72K1J-122JE	1	435031224R1	
PCB2	R973	METAL O R	RS1/2WBJ-22	1	443522204T	
PCB2	R974	METAL O R	RS1/2WBJ-22	1	443522204T	
PCB2	RL341	RELAY	NRL-2P2A-DC12-178	1	25065664	
PCB2	RL901	RELAY	NRL-1P5A-DC9-179	1	25065669	!
PCB2	S901	P SW	NPS-111-L512P	1	25035550	
PCB2	E905	TRM(SCREW)	NEJITANSI M3	1	25065425	
PCB2	F901A	FUSE HOL	NSCT-1P2031	1	25052133T	!
PCB2	F901B	FUSE HOL	NSCT-1P2031	1	25052133T	!
PCB2	F901C	FUSE LABEL	2.5A125V	1	29363738	!, <MDT>
PCB2	F903A	FUSE HOL	NSCT-1P2031	1	25052133T	! <MPP>
PCB2	F903A	FUSE HOL	NSCT-1P2031	1	25052133T	! <MGT>
PCB2	F903A	FUSE HOL	NSCT-1P2031	1	25052133T	! <MDT>
PCB2	F903B	FUSE HOL	NSCT-1P2031	1	25052133T	! <MPP>
PCB2	F903B	FUSE HOL	NSCT-1P2031	1	25052133T	! <MGT>
PCB2	F903B	FUSE HOL	NSCT-1P2031	1	25052133T	! <MDT>
PCB2	F903C	LABEL	5A/125V	1	29360462	! <MDT>
PCB2	F904A	FUSE HOL	NSCT-1P2031	1	25052133T	! <MGR>
PCB2	F904B	FUSE HOL	NSCT-1P2031	1	25052133T	! <MGR>
PCB2	JL201	JMP LEAD	JL6 050 B	1	---	NSP
PCB2	JL201A	WIRE HOL	NSCT-6P877	1	25051090	
PCB2	JL206	JUMPER LEAD	JL5 400 B	1	---	NSP
PCB2	JL206A	WIRE HOL	NSCT-5P876	1	25051089	
PCB2	JL209	JMP LEAD	JL11 350 B	1	---	NSP
PCB2	JL209A	WIRE HOL	NSCT-11P882	1	25051095	
PCB2	JL209B	WIRE TRAP	NPLG-11P594	1	25055632	
PCB2	JL210B	WIRE TRAP	NPLG-5P588	1	25055626	
PCB2	JL212B	WIRE TRAP	NPLG-8P591	1	25055629	

PCB2	JL901B	WIRE TRAP	NPLG-4P587	1	25055625	
PCB2	P201	PIN JACK	NPJ-4PDWWRR624	1	25045845	
PCB2	P201 or	PIN JACK	NPJ-4PDBL162	(1)	25045303	
PCB2	P202	PIN JACK	NPJ-4PDWWRR624	1	25045845	
PCB2	P202 or	PIN JACK	NPJ-4PDBL162	(1)	25045303	
PCB2	P203	PIN JACK	NPJ-4PDWWRR624	1	25045845	
PCB2	P203 or	PIN JACK	NPJ-4PDBL162	(1)	25045303	
PCB2	P204	PIN JACK	NPJ-4PDWWRR624	1	25045845	
PCB2	P204 or	PIN JACK	NPJ-4PDBL162	(1)	25045303	
PCB2	P205	JACK	HSJ1003-01-020	1	25045172	
PCB2	P206	PLUG	NPLG-4P118	1	25055134	
PCB2	P207	PLUG	NPLG-2P149	1	25055165	
PCB2	P901	CRIMP AS	CRIMP AS	1	2069943301UL	
PCB2	P902	CRIMP AS	CRIMP AS	1	206CC45200UL	
PCB2	P903	CRIMP AS	CRIMP AS	1	206CC45209UL	<MPP>
PCB2	P903	CRIMP AS	1672#18 BRN 15	1	206CC45151UL	<MGR>
PCB2	P903	CRIMP AS	CRIMP AS	1	206CC45209UL	<MGT>
PCB2	P903	CRIMP AS	CRIMP AS	1	206CC45209UL	<MDT>
PCB2	P904	CRIMP AS	CRIMP AS	1	2069943303UL	
PCB2	P906	PLUG	NPLG-2P631	1	25055675	
PCB2	P910	PLUG	NPLG-2P631	1	25055675	
PCB2	P911	SOCKET	NSCT-4P912	1	25051125	<MPP>
PCB2	P911	SOCKET	NSCT-4P912	1	25051125	<MGT>
PCB2	P911	AC OUTLET	NSCT-4P913	1	25051126	!, <MDT>
PCB2	P912	AC OUTLET	AC-181-GB-11VGY5311	1	25051126	!, <MGR>
PCB2	P913	AC OUTLET	AC-181-GB-11VGY5311	1	25053032	!, <MGR>
PCB2	P5003A	CRIMP AS	CRIMP AS	1	2063955220UL	
PCB2	P5004B	TRM	NTM-1P232(M1700)	1	25060301	
PCB2	U14	POWER AMPLIFIER PC BOARD (NACLD-9283-1A / 1C / 1D / 1E)				
PCB2						
PCB2	CIRCUIT NO.	PART NAME	DESCRIPTION	Q'TY	PART NO. (SN)	REMARKS
PCB3	Q5001	TR	HN3C51F-BL(TE85L_F)	1	2217185R2	

PCB3	Q5002	TR	HN3C51F-BL(TE85L_F)	1	2217185R2
PCB3	Q5003	TR	2SC2712-GR	1	2213145R2
PCB3	Q5004	TR	2SC2712-GR	1	2213145R2
PCB3	Q5005	TR	2SC2712-GR	1	2213145R2
PCB3	Q5006	TR	2SC2712-GR	1	2213145R2
PCB3	Q5007	TR	HN3A51F(TE85L_F)	1	2217190R2
PCB3	Q5008	TR	HN3A51F(TE85L_F)	1	2217190R2
PCB3	Q5009	TR	HN3A51F(TE85L_F)	1	2217190R2
PCB3	Q5010	TR	HN3A51F(TE85L_F)	1	2217190R2
PCB3	Q5011	IC	TC7W14FU(TE12L_F)	1	22241161R2
PCB3	Q5012	IC	TC7W14FU(TE12L_F)	1	22241161R2
PCB3	Q5013	IC	78L05(NJM78L05UA)	1	222780053R2JR
PCB3	Q5014	IC	78L05(NJM78L05UA)	1	222780053R2JR
PCB3	Q5015	TR	RN1402	1	2214470R2
PCB3	Q5015 or	TR	KRC102S	(1)	2216190R2
PCB3	Q5016	TR	RN1402	1	2214470R2
PCB3	Q5016 or	TR	KRC102S	(1)	2216190R2
PCB3	Q5017	IC	IRS20954S	1	22242351R2
PCB3	Q5018	IC	IRS20954S	1	22242351R2
PCB3	Q5019	TR	IRF6665	1	2203980R2
PCB3	Q5020	TR	IRF6665	1	2203980R2
PCB3	Q5021	TR	IRF6665	1	2203980R2
PCB3	Q5022	TR	IRF6665	1	2203980R2
PCB3	Q5023	TR	RN1441	1	2215410R2
PCB3	Q5024	TR	RN1441	1	2215410R2
PCB3	Q5025	TR	RN1441	1	2215410R2
PCB3	Q5026	TR	RN1441	1	2215410R2
PCB3	Q5801	TR	HN1C01F-GR(TE85L_F)	1	2215925R2
PCB3	Q5802	TR	2SC2712-GR	1	2213145R2
PCB3	Q5803	TR	HN1C01F-GR(TE85L_F)	1	2215925R2
PCB3	Q5804	TR	RN2402	1	2214530R2
PCB3	Q5804 or	TR	KRA102S	(1)	2216220R2
PCB3	Q5805	TR	2SA1162-GR	1	2214375R2

PCB3	Q5806	TR	DTC123JKA	1	2216690R2
PCB3	Q5807	TR	2SA1162-GR	1	2214375R2
PCB3	Q5808	TR	2SA1162-GR	1	2214375R2
PCB3	Q5809	TR	2SA1162-GR	1	2214375R2
PCB3	Q5810	TR	DTC123JKA	1	2216690R2
PCB3	Q9801	TR	2SA1837(F)	1	2202790
PCB3	Q9802	TR	2SC3421-Y(Q)	1	2212654
PCB3	Q9803	TR	2SC2712-GR	1	2213145R2
PCB3	Q9804	TR	2SA1162-GR	1	2214375R2
PCB3	Q9805	IC	78M12HF(NJM78M12FA)	1	222780125JRC
PCB3	Q9806	IC	78L05(NJM78L05UA)	1	222780053R2JR
PCB3	Q9807	TR	2SC4793(F)	1	2202800
PCB3	D5001	ZENER D	UDZS5.6B	1	224550560R2
PCB3	D5002	ZENER D	UDZS5.6B	1	224550560R2
PCB3	D5003	C-DIODE	1SS352	1	223234R2
PCB3	D5003 or	C-DIODE	1SS355	(1)	223269R2
PCB3	D5004	C-DIODE	1SS352	1	223234R2
PCB3	D5004 or	C-DIODE	1SS355	(1)	223269R2
PCB3	D5005	C-DIODE	1SS352	1	223234R2
PCB3	D5005 or	C-DIODE	1SS355	(1)	223269R2
PCB3	D5006	C-DIODE	1SS352	1	223234R2
PCB3	D5006 or	C-DIODE	1SS355	(1)	223269R2
PCB3	D5007	DIODE	M1FL20U	1	223276R2
PCB3	D5008	DIODE	M1FL20U	1	223276R2
PCB3	D5009	C-DIODE	1SS352	1	223234R2
PCB3	D5009 or	C-DIODE	1SS355	(1)	223269R2
PCB3	D5010	C-DIODE	1SS352	1	223234R2
PCB3	D5010 or	C-DIODE	1SS355	(1)	223269R2
PCB3	D5801	ZENER D	UDZS5.6B	1	224550560R2
PCB3	D5802	ZENER D	UDZS5.6B	1	224550560R2
PCB3	D5803	C-DIODE	1SS352	1	223234R2
PCB3	D5803 or	C-DIODE	1SS355	(1)	223269R2
PCB3	D5807	C-DIODE	1SS352	1	223234R2

PCB3	D5807 or	C-DIODE	1SS355	(1)	223269R2
PCB3	D5808	C-DIODE	1SS352	1	223234R2
PCB3	D5808 or	C-DIODE	1SS355	(1)	223269R2
PCB3	D5810	C-DIODE	1SS352	1	223234R2
PCB3	D5810 or	C-DIODE	1SS355	(1)	223269R2
PCB3	D5811	C-DIODE	1SS352	1	223234R2
PCB3	D5811 or	C-DIODE	1SS355	(1)	223269R2
PCB3	D5812	C-DIODE	1SS352	1	223234R2
PCB3	D5812 or	C-DIODE	1SS355	(1)	223269R2
PCB3	D5813	C-DIODE	1SS352	1	223234R2
PCB3	D5813 or	C-DIODE	1SS355	(1)	223269R2
PCB3	D9801	DIODE	LN15XB60	1	22380347
PCB3	D9802	ZENER D	UDZS18B	1	224551800R2
PCB3	D9803	ZENER D	UDZS18B	1	224551800R2
PCB3	D9804	C-DIODE	S1NB60-4062	1	22380318R2
PCB3	D9805	ZENER D	UDZS9.1B	1	224550910R2
PCB3	L5001	CHOKE COIL	NCH-1543	1	231368K220
PCB3	L5002	CHOKE COIL	NCH-1543	1	231368K220
PCB3	L5003	CHOKE COIL	NCH-1537	1	231358
PCB3	L5004	CHOKE COIL	NCH-1537	1	231358
PCB3	C5001	C-FILM C	ECHU50V-221J	1	373022214R2
PCB3	C5002	C-FILM C	ECHU50V-221J	1	373022214R2
PCB3	C5003	UTSP C	CE04W50V-22M(UTSP)	1	397582207T
PCB3	C5004	UTSP C	CE04W50V-22M(UTSP)	1	397582207T
PCB3	C5005	C-FILM C	ECHU50V-821J	1	373028214R2
PCB3	C5006	C-FILM C	ECHU50V-821J	1	373028214R2
PCB3	C5007	UTSP C	CE04W50V-22M(UTSP)	1	397582207T
PCB3	C5008	UTSP C	CE04W50V-22M(UTSP)	1	397582207T
PCB3	C5009	UTSP C	CE04W50V-22M(UTSP)	1	397582207T
PCB3	C5010	UTSP C	CE04W50V-22M(UTSP)	1	397582207T
PCB3	C5011	UTSP C	CE04W25V-220M(UTSP)	1	397552217T
PCB3	C5012	UTSP C	CE04W25V-220M(UTSP)	1	397552217T
PCB3	C5013	UTSP C	CE04W25V-220M(UTSP)	1	397552217T

PCB3	C5014	UTSP C	CE04W25V-220M(UTSP)	1	397552217T
PCB3	C5015	FLIM C	ECQP50V-102F	1	3800038S
PCB3	C5016	FLIM C	ECQP50V-102F	1	3800038S
PCB3	C5017	FLIM C	ECQP50V-102F	1	3800038S
PCB3	C5018	FLIM C	ECQP50V-102F	1	3800038S
PCB3	C5019	C-CERA C	CK725F1H-104Z1	1	332151040R1
PCB3	C5020	C-CERA C	CK725F1H-104Z1	1	332151040R1
PCB3	C5021	UTSP C	CE04W10V-100M(UTSP)	1	397531017T
PCB3	C5022	UTSP C	CE04W10V-100M(UTSP)	1	397531017T
PCB3	C5023	UTSP C	CE04W50V-22M(UTSP)	1	397582207T
PCB3	C5024	UTSP C	CE04W50V-22M(UTSP)	1	397582207T
PCB3	C5025	C-FILM C	ECHU50V-331J	1	373023314R2
PCB3	C5026	C-FILM C	ECHU50V-331J	1	373023314R2
PCB3	C5027	C-FILM C	ECHU50V-101J	1	373021014R2
PCB3	C5028	C-FILM C	ECHU50V-101J	1	373021014R2
PCB3	C5029	C-FILM C	ECHU50V-221J	1	373022214R2
PCB3	C5030	C-FILM C	ECHU50V-221J	1	373022214R2
PCB3	C5031	C-FILM C	ECHU50V-101J	1	373021014R2
PCB3	C5032	C-FILM C	ECHU50V-101J	1	373021014R2
PCB3	C5033	UTSP C	CE04W50V-100M(UTSP)	1	397581017T
PCB3	C5034	UTSP C	CE04W50V-100M(UTSP)	1	397581017T
PCB3	C5035	VX C	CE04W50V-1M(VX_BLK)	1	397380107T
PCB3	C5036	VX C	CE04W50V-1M(VX_BLK)	1	397380107T
PCB3	C5037	C-CERA C	CK725F1H-224Z1	1	332152240R1
PCB3	C5038	C-CERA C	CK725F1H-224Z1	1	332152240R1
PCB3	C5039	UTSP C	CE04W50V 47M(UTSP)	1	397584707T
PCB3	C5040	UTSP C	CE04W50V 47M(UTSP)	1	397584707T
PCB3	C5041	C-CERA C	CK725F1H-224Z1	1	332152240R1
PCB3	C5042	C-CERA C	CK725F1H-224Z1	1	332152240R1
PCB3	C5043	C-CERA C	CK725F1H-224Z1	1	332152240R1
PCB3	C5044	C-CERA C	CK725F1H-224Z1	1	332152240R1
PCB3	C5045	C-CERA C	CK725R2J-471K3	1	332194715R1
PCB3	C5046	C-CERA C	CK725R2J-471K3	1	332194715R1

PCB3	C5047	C-CERA C	CK725X7R2E-334K5	1	332213345R1
PCB3	C5048	C-CERA C	CK725X7R2E-334K5	1	332213345R1
PCB3	C5049	C-CERA C	CK725X7R2E-334K5	1	332213345R1
PCB3	C5050	C-CERA C	CK725X7R2E-334K5	1	332213345R1
PCB3	C5051	PLA C	ECQE250V-334J	1	3700083S
PCB3	C5052	PLA C	ECQE250V-334J	1	3700083S
PCB3	C5053	TF C	ECQ-V100-153J	1	374731534T
PCB3	C5054	TF C	ECQ-V100-153J	1	374731534T
PCB3	C5055	TF C	ECQ-B50V-103J	1	374721034T
PCB3	C5056	TF C	ECQ-B50V-103J	1	374721034T
PCB3	C5057	TF C	ECQ-B50V-102J	1	374721024T
PCB3	C5058	TF C	ECQ-B50V-102J	1	374721024T
PCB3	C5059	TF C	ECQ-B50V-102J	1	374721024T
PCB3	C5060	TF C	ECQ-B50V-102J	1	374721024T
PCB3	C5061	C-CERA C	CK725R2J-471K3	1	332194715R1
PCB3	C5062	C-CERA C	CK725R2J-471K3	1	332194715R1
PCB3	C5065	UTSP C	CE04W50V 47M(UTSP)	1	397584707T
PCB3	C5066	UTSP C	CE04W50V 47M(UTSP)	1	397584707T
PCB3	C5067	C-CERA C	CK725X7R2E-334K5	1	332213345R1
PCB3	C5068	C-CERA C	CK725X7R2E-334K5	1	332213345R1
PCB3	C5069	C-CERA C	CK725R2J-471K3	1	332194715R1
PCB3	C5070	C-CERA C	CK725R2J-471K3	1	332194715R1
PCB3	C5801	C-CERA C	CK725F1H-104Z1	1	332151040R1
PCB3	C5802	C-CERA C	CK725F1H-104Z1	1	332151040R1
PCB3	C5803	VX C	CE04W25V-47M(VX_BLK)	1	397354707T
PCB3	C5804	C-CERA C	CK725F1H-104Z1	1	332151040R1
PCB3	C5805	TF C	ECQ-V50V-104J	1	374721044T
PCB3	C5806	C-CERA C	CK725F1H-224Z1	1	332152240R1
PCB3	C5807	VX C	CE04W10V-220M(VX_BLK)	1	397332217T
PCB3	C5808	TF C	ECQ-V50V-104J	1	374721044T
PCB3	C9801	TF C	ECQ-V50V-104J	1	374721044T
PCB3	C9802	TF C	ECQ-V50V-104J	1	374721044T
PCB3	C9803	TF C	ECQ-V50V-104J	1	374721044T

PCB3	C9804	TF C	ECQ-V50V-104J	1	374721044T
PCB3	C9805	ELECT C	CE69W50V-10000M	1	3504449
PCB3	C9806	ELECT C	CE69W50V-10000M	1	3504449
PCB3	C9807	C-CERA C	CK725F1H-104Z1	1	332151040R1
PCB3	C9808	C-CERA C	CK725F1H-104Z1	1	332151040R1
PCB3	C9809	VX C	CE04W35V-1000M(VX_BLK)	1	397361027S
PCB3	C9810	VX C	CE04W25V-47M(VX_BLK)	1	397354707T
PCB3	C9811	UTSP C	CE04W50V-10M(UTSP)	1	397581007T
PCB3	C9812	UTSP C	CE04W50V-10M(UTSP)	1	397581007T
PCB3	C9813	UTSP C	CE04W50V-22M(UTSP)	1	397582207T
PCB3	C9814	UTSP C	CE04W50V-22M(UTSP)	1	397582207T
PCB3	C9815	VX C	CE04W50V 100M(VX_BLK)	1	397381017T
PCB3	C9816	VX C	CE04W50V 100M(VX_BLK)	1	397381017T
PCB3	C9817	VX C	CE04W25V-47M(VX_BLK)	1	397354707T
PCB3	C9818	UTSP C	CE04W50V 47M(UTSP)	1	397584707T
PCB3	C9819	UTSP C	CE04W50V-22M(UTSP)	1	397582207T
PCB3	C9820	C-CERA C	CC725CH1E-102J1	1	342111024R1
PCB3	C9821	C-CERA C	CK725F1H-224Z1	1	332152240R1
PCB3	C9822	C-CERA C	CK725B1H-222K1	1	332102225R1
PCB3	R5001	C-CARBON R	RN72K1J-222JE	1	435032224R1
PCB3	R5002	C-CARBON R	RN72K1J-222JE	1	435032224R1
PCB3	R5003	C-CARBON R	RN72K1J-224JE	1	435032244R1
PCB3	R5004	C-CARBON R	RN72K1J-224JE	1	435032244R1
PCB3	R5005	C-CARBON R	RN72K1J-394JE	1	435033944R1
PCB3	R5006	C-CARBON R	RN72K1J-394JE	1	435033944R1
PCB3	R5007	C-CARBON R	RN72K1J-123JE	1	435031234R1
PCB3	R5008	C-CARBON R	RN72K1J-123JE	1	435031234R1
PCB3	R5009	C-CARBON R	RN72K1J-391FE	1	435033912R1
PCB3	R5010	C-CARBON R	RN72K1J-391FE	1	435033912R1
PCB3	R5011	C-CARBON R	RN72K1J-391FE	1	435033912R1
PCB3	R5012	C-CARBON R	RN72K1J-391FE	1	435033912R1
PCB3	R5013	C-CARBON R	RN72K1J-104JE	1	435031044R1
PCB3	R5014	C-CARBON R	RN72K1J-104JE	1	435031044R1

PCB3	R5015	C-CARBON R	RN72K1J-222JE	1	435032224R1
PCB3	R5016	C-CARBON R	RN72K1J-222JE	1	435032224R1
PCB3	R5017	C-CARBON R	RN72K1J-470JE	1	435034704R1
PCB3	R5018	C-CARBON R	RN72K1J-470JE	1	435034704R1
PCB3	R5019	C-CARBON R	RN72K1J-470JE	1	435034704R1
PCB3	R5020	C-CARBON R	RN72K1J-470JE	1	435034704R1
PCB3	R5021	TRIM R	N06HR100BC	1	5210359T
PCB3	R5022	TRIM R	N06HR100BC	1	5210359T
PCB3	R5023	C-CARBON R	RN72K1J-122JE	1	435031224R1
PCB3	R5024	C-CARBON R	RN72K1J-122JE	1	435031224R1
PCB3	R5025	C-CARBON R	RN72K1J-392FE	1	435033922R1
PCB3	R5026	C-CARBON R	RN72K1J-392FE	1	435033922R1
PCB3	R5027	C-CARBON R	RN72K1J-392FE	1	435033922R1
PCB3	R5028	C-CARBON R	RN72K1J-392FE	1	435033922R1
PCB3	R5029	C-CARBON R	RN72K1J-473FE	1	435034732R1
PCB3	R5030	C-CARBON R	RN72K1J-473FE	1	435034732R1
PCB3	R5031	C-CARBON R	RN72K1J-222JE	1	435032224R1
PCB3	R5032	C-CARBON R	RN72K1J-222JE	1	435032224R1
PCB3	R5033	C-CARBON R	RN72K2E-101JE	1	435221014R1
PCB3	R5034	C-CARBON R	RN72K2E-101JE	1	435221014R1
PCB3	R5035	C-CARBON R	RN72K2E-101JE	1	435221014R1
PCB3	R5036	C-CARBON R	RN72K2E-101JE	1	435221014R1
PCB3	R5037	C-CARBON R	RN72K1J-562JE	1	435035624R1
PCB3	R5038	C-CARBON R	RN72K1J-562JE	1	435035624R1
PCB3	R5039	C-CARBON R	RN72K1J-153JE	1	435031534R1
PCB3	R5040	C-CARBON R	RN72K1J-153JE	1	435031534R1
PCB3	R5041	C-CARBON R	RN72K1J-561JE	1	435035614R1
PCB3	R5042	C-CARBON R	RN72K1J-821JE	1	435038214R1
PCB3	R5043	C-CARBON R	RN72K1J-181FE	1	435031812R1
PCB3	R5044	C-CARBON R	RN72K1J-181FE	1	435031812R1
PCB3	R5045	C-CARBON R	RN72K1J-331JE	1	435033314R1
PCB3	R5046	C-CARBON R	RN72K1J-331JE	1	435033314R1
PCB3	R5047	C-CARBON R	RN72K1J-331JE	1	435033314R1

PCB3	R5048	C-CARBON R	RN72K1J-331JE	1	435033314R1
PCB3	R5049	C-CARBON R	RN72K1J-222JE	1	435032224R1
PCB3	R5050	C-CARBON R	RN72K1J-222JE	1	435032224R1
PCB3	R5051	C-CARBON R	RN72K1J-123JE	1	435031234R1
PCB3	R5052	C-CARBON R	RN72K1J-123JE	1	435031234R1
PCB3	R5053	C-CARBON R	RN72K2E-221JE	1	435222214R1
PCB3	R5054	C-CARBON R	RN72K2E-221JE	1	435222214R1
PCB3	R5055	C-CARBON R	RN72K1J-472JE	1	435034724R1
PCB3	R5056	C-CARBON R	RN72K1J-472JE	1	435034724R1
PCB3	R5057	C-CARBON R	RN72K1J-273JE	1	435032734R1
PCB3	R5058	C-CARBON R	RN72K1J-273JE	1	435032734R1
PCB3	R5059	C-CARBON R	RN72K1J-334JE	1	435033344R1
PCB3	R5060	C-CARBON R	RN72K1J-334JE	1	435033344R1
PCB3	R5061	C-CARBON R	RN72K1J-392JE	1	435033924R1
PCB3	R5062	C-CARBON R	RN72K1J-392JE	1	435033924R1
PCB3	R5063	C-CARBON R	RN72K1J-222JE	1	435032224R1
PCB3	R5064	C-CARBON R	RN72K1J-222JE	1	435032224R1
PCB3	R5065	C-CARBON R	RN72K1J-392JE	1	435033924R1
PCB3	R5066	C-CARBON R	RN72K1J-392JE	1	435033924R1
PCB3	R5067	C-CARBON R	RN72K1J-822JE	1	435038224R1
PCB3	R5068	C-CARBON R	RN72K1J-822JE	1	435038224R1
PCB3	R5069	C-CARBON R	RN72K2E-223JE	1	435222234R1
PCB3	R5070	C-CARBON R	RN72K2E-223JE	1	435222234R1
PCB3	R5071	C-CARBON R	RN72K2E-330JE	1	435223304R1
PCB3	R5072	C-CARBON R	RN72K2E-330JE	1	435223304R1
PCB3	R5073	C-CARBON R	RN72K1J-472JE	1	435034724R1
PCB3	R5074	C-CARBON R	RN72K1J-472JE	1	435034724R1
PCB3	R5077	METAL O R	RS1/2WBJ-5.6K	1	443525624T
PCB3	R5078	METAL O R	RS1/2WBJ-5.6K	1	443525624T
PCB3	R5079	C-CARBON R	RN72K1J-822FE	1	435038222R1
PCB3	R5080	C-CARBON R	RN72K1J-822FE	1	435038222R1
PCB3	R5081	C-CARBON R	RN72K1J-222FE	1	435032222R1
PCB3	R5082	C-CARBON R	RN72K1J-222FE	1	435032222R1

PCB3	R5083	C-CARBON R	RN72K2E-047JE	1	435220474R1
PCB3	R5084	C-CARBON R	RN72K2E-047JE	1	435220474R1
PCB3	R5085	C-CARBON R	RN72K1J-103JE	1	435031034R1
PCB3	R5086	C-CARBON R	RN72K1J-103JE	1	435031034R1
PCB3	R5087	C-CARBON R	RN72K1J-272FE	1	435032722R1
PCB3	R5088	C-CARBON R	RN72K1J-272FE	1	435032722R1
PCB3	R5089	C-CARBON R	RN72K1J-682FE	1	435036822R1
PCB3	R5090	C-CARBON R	RN72K1J-682FE	1	435036822R1
PCB3	R5091	C-CARBON R	RN72K1J-330JE	1	435033304R1
PCB3	R5092	C-CARBON R	RN72K1J-330JE	1	435033304R1
PCB3	R5093	C-CARBON R	RN72K2E-220JE	1	435222204R1
PCB3	R5094	C-CARBON R	RN72K2E-220JE	1	435222204R1
PCB3	R5095	C-CARBON R	RN72K2E-220JE	1	435222204R1
PCB3	R5096	C-CARBON R	RN72K2E-220JE	1	435222204R1
PCB3	R5097	C-CARBON R	RN72K1J-473JE	1	435034734R1
PCB3	R5098	C-CARBON R	RN72K1J-473JE	1	435034734R1
PCB3	R5099	C-CARBON R	RN72K2E-068JE	1	435220684R1
PCB3	R5100	C-CARBON R	RN72K2E-068JE	1	435220684R1
PCB3	R5101	C-CARBON R	RN72K1J-104FE	1	435031042R1
PCB3	R5102	C-CARBON R	RN72K1J-104FE	1	435031042R1
PCB3	R5103	C-CARBON R	RN72K1J-104FE	1	435031042R1
PCB3	R5104	C-CARBON R	RN72K1J-104FE	1	435031042R1
PCB3	R5105	C-CARBON R	RN72K3A-220JE	1	435322204R2
PCB3	R5106	C-CARBON R	RN72K3A-220JE	1	435322204R2
PCB3	R5107	C-CARBON R	RN72K1J-101JE	1	435031014R1
PCB3	R5108	C-CARBON R	RN72K1J-101JE	1	435031014R1
PCB3	R5109	C-CARBON R	RN72K1J-154JE	1	435031544R1
PCB3	R5110	C-CARBON R	RN72K1J-154JE	1	435031544R1
PCB3	R5111	C-CARBON R	RN72K1J-392JE	1	435033924R1
PCB3	R5112	C-CARBON R	RN72K1J-392JE	1	435033924R1
PCB3	R5113	C-CARBON R	RN72K1J-154JE	1	435031544R1
PCB3	R5114	C-CARBON R	RN72K1J-154JE	1	435031544R1
PCB3	R5115	C-CARBON R	RN72K2E-068JE	1	435220684R1

PCB3	R5116	C-CARBON R	RN72K2E-068JE	1	435220684R1
PCB3	R5117	C-CARBON R	RN72K1J-563FE	1	435035632R1
PCB3	R5118	C-CARBON R	RN72K1J-563FE	1	435035632R1
PCB3	R5119	C-CARBON R	RN72K2E-010JE	1	435220104R1
PCB3	R5120	C-CARBON R	RN72K2E-010JE	1	435220104R1
PCB3	R5801	C-CARBON R	RN72K1J-273JE	1	435032734R1
PCB3	R5802	C-CARBON R	RN72K1J-223JE	1	435032234R1
PCB3	R5803	C-CARBON R	RN72K1J-392JE	1	435033924R1
PCB3	R5804	C-CARBON R	RN72K1J-332JE	1	435033324R1
PCB3	R5805	C-CARBON R	RN72K1J-224JE	1	435032244R1
PCB3	R5806	C-CARBON R	RN72K1J-224JE	1	435032244R1
PCB3	R5807	C-CARBON R	RN72K1J-224JE	1	435032244R1
PCB3	R5808	C-CARBON R	RN72K1J-473JE	1	435034734R1
PCB3	R5809	C-CARBON R	RN72K1J-562JE	1	435035624R1
PCB3	R5810	C-CARBON R	RN72K1J-682JE	1	435036824R1
PCB3	R5811	C-CARBON R	RN72K1J-823JE	1	435038234R1
PCB3	R5812	C-CARBON R	RN72K1J-823JE	1	435038234R1
PCB3	R5814	C-CARBON R	RN72K1J-562JE	1	435035624R1
PCB3	R5818	C-CARBON R	RN72K1J-473JE	1	435034734R1
PCB3	R5819	C-CARBON R	RN72K1J-103JE	1	435031034R1
PCB3	R5820	C-CARBON R	RN72K1J-103JE	1	435031034R1
PCB3	R5821	C-CARBON R	RN72K1J-473JE	1	435034734R1
PCB3	R5822	C-CARBON R	RN72K1J-153JE	1	435031534R1
PCB3	R5825	C-CARBON R	RN72K1J-473JE	1	435034734R1
PCB3	R5826	C-CARBON R	RN72K1J-000JE	1	435030004R1
PCB3	R5827	C-CARBON R	RN72K1J-000JE	1	435030004R1
PCB3	R9801	C-CARBON R	RN72K2E-560JE	1	435225604R1
PCB3	R9802	C-CARBON R	RN72K2E-560JE	1	435225604R1
PCB3	R9803	C-CARBON R	RN72K2E-123JE	1	435221234R1
PCB3	R9804	C-CARBON R	RN72K2E-123JE	1	435221234R1
PCB3	R9805	C-CARBON R	RN72K1J-122JE	1	435031224R1
PCB3	R9806	C-CARBON R	RN72K1J-122JE	1	435031224R1
PCB3	R9807	METAL R	RNU1/2WCJ-2.2	1	453530224T

PCB3	R9808	C-CARBON R	RN72K2E-682JE	1	435226824R1	
PCB3	RL5001	RELAY	NRL-2P5A-DC12-187	1	25065685	
PCB3	RL5002	RELAY	NRL-2P5A-DC12-187	1	25065685	
PCB3	P5001	TRM	NTM-8PDMNR402	1	25060474	
PCB3	P5003B	TRM	NTM-1P232(M1700)	1	25060301	
PCB3	P5004A	CRIMP AS	CRIMP AS	1	2063955308UL	
PCB3	P5017	RETAINER	(BUS-G)	1	27142045	
PCB3	P5101	RETAINER	(BUS-A)	1	27142039	
PCB3	P5103	RETAINER	(BUS-B)	1	27142040	
PCB3	P5105	RETAINER	(BUS-C)	1	27142043	
PCB3	P9001	PLUG	NPLG-2P116	1	25055132	
PCB3	P9002	PLUG	NPLG-4P151	1	25055167	
PCB3	E5002	TRM(SCREW)	NEJITANSI M3	1	25065425	
PCB3	JL201B	WIRE TRAP	NPLG-6P589	1	25055627	
PCB3	JL211B	WIRE TRAP	NPLG-10P593	1	25055631	
PCB3	A9002	TAPE	TAPE(CLOTH-8U)	(1)	29110082	

A-9355

PACKING PROCEDURE PARTS LIST

REF. NO.	PART NAME	DESCRIPTION	Q'TY	PART NO. (SN)	REMARKS
PV	A500	SHEET	---	29095847	
PV	A503	PAD	L & R	29092360A	
PV	A506	TAPE	NITTO NO.29	(1) 29110149	
PV	A509	PP TAPE	W48 OPP TAPE	(1) 29110148	
PV	A512	POLY BAG	350 x 250	29100097-1B	
PV	A701	EAN LABEL	A9355(B)	29364817	(B) <MPP>
PV	A701	EAN LABEL	A9355(S)	29364816	(S) <MPP>
PV	A701	EAN LABEL	A9355(G)	29364818	(G) <MGT>
PV	A701	EAN LABEL	A9355(G)	29364818	(G) <MDT>
PV	A701	EAN LABEL	A9355(G)	29364818	(G) <MGR>
PV	A751	REMO CON	RC-627S	24140627	
PV	A752	BATTERY	R6/AA(UM-3)	3010054	

PV	A752 or	BATTERY	R6/AA(UM-3)	(2)	3010194	
PV	A801	CARTON	A9355(B)	1	29054680A	(B) <MPP>
PV	A801	CARTON	A9355(S)	1	29054679A	(S) <MPP>
PV	A801	CARTON	A9355(G)	1	29054681A	(G) <MGT>
PV	A801	CARTON	A9355(G)	1	29054681A	(G) <MDT>
PV	A801	CARTON	A9355(G)MGR	1	29054685A	(G) <MGR>
PV	A810	WRNTY CARD	(ONKYO-CH)	1	29365098B	<MGR>
PV	A951	INS MANUAL	En(A-9355)	1	29344443	
PV	A952	INS MANUAL	U3FrEslt(A-9355)	1	29344444	<MPP>
PV	A952	INS MANUAL	Ct(A-9355)	1	29344446	<MGT>
PV	A952	INS MANUAL	Ct(A-9355)	1	29344446	<MDT>
PV	A952	INS MANUAL	Cs(A-9355)	1	29344447	<MGR>
PV	A953	INS MANUAL	U3DeNISv(A-9355)	1	29344445	<MPP>
PV	A961	INST SHEET	U10(A-9755)	1	29355548	
PV	A964	INST SHEET	D-AMP	1	29355520	
PV	A965	INST SHEET	WEEE	1	29355537	<MPP>

ONKYO CORPORATION

Sales & Product Planning Div. : 2-1, Nisshin-cho, Neyagawa-shi, OSAKA 572-8540, JAPAN
Tel: 072-831-8023 Fax: 072-831-8124

ONKYO U.S.A. CORPORATION

18 Park Way, Upper Saddle River, N.J. 07458, U.S.A.
Tel: 201-785-2600 Fax: 201-785-2650 <http://www.us.onkyo.com/>

ONKYO EUROPE ELECTRONICS GmbH

Liegnitzerstrasse 6, 82194 Groebenzell, GERMANY
Tel: +49-8142-4401-0 Fax: +49-8142-4401-555 <http://www.eu.onkyo.com/>

ONKYO EUROPE UK Office

Suite 1, Gregories Court, Gregories Road, Beaconsfield, Buckinghamshire, HP9 1HQ
UNITED KINGDOM Tel: +44-(0)1494-681515 Fax: +44(0)-1494-680452

ONKYO CHINA LIMITED

Units 2102-2107, Metroplaza Tower I, 223 Hing Fong Road, Kwai Chung,
N.T., HONG KONG Tel: 852-2429-3118 Fax: 852-2428-9039
<http://www.ch.onkyo.com/>

